

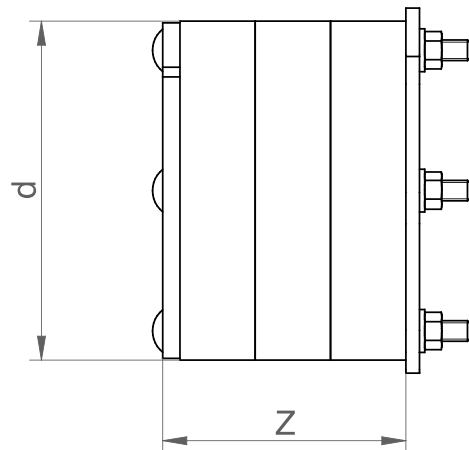
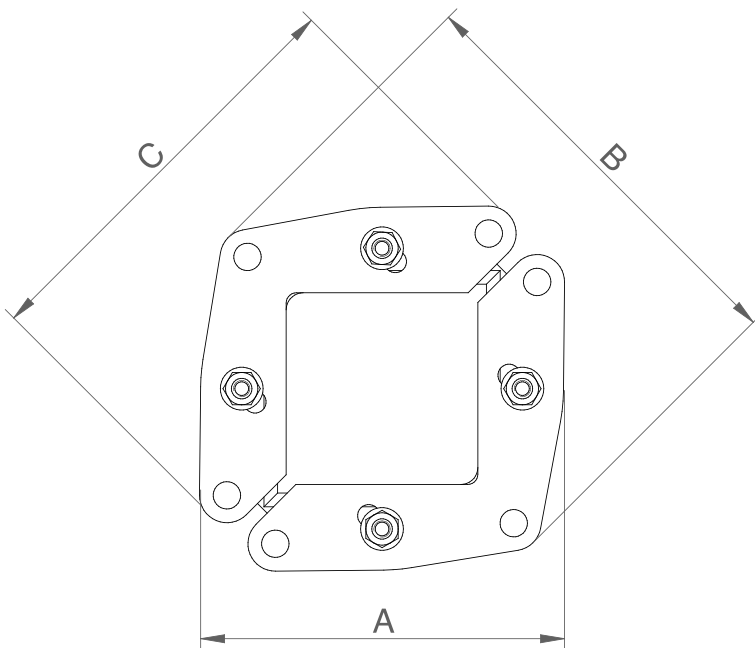
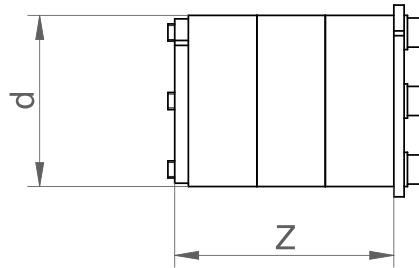
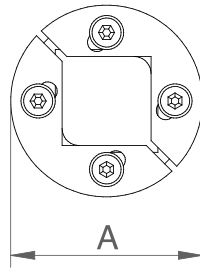
# HRTO Family

Hawke HRTO is a round sealing solution for multiple cables/pipes passing through a circular aperture in a wall or bulkhead/deck.

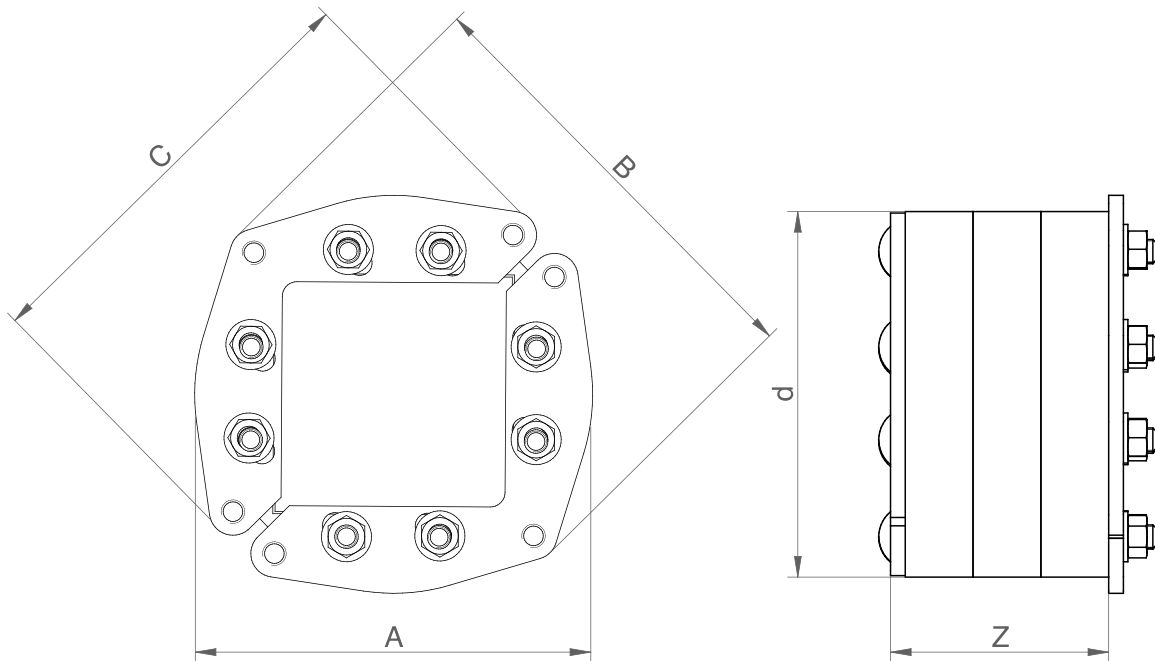
The seal is formed by tightening the compression bolts which expand the system radially with no need of a compression system.

## CHARACTERISTICS

- ◆ Designed to be installed using Hawke Sleeves (welded, bolted or casted) and standard HF blocks.
- ◆ Manufactured in intumescent elastomer polymer with stainless steel front and back plates. Plates also available in mild steel.
- ◆ HRTO is always supplied as an open frame. This enables the frame to be installed after cable/pipe installation.
- ◆ No extra tools are required for its installation.



# HRTO Family

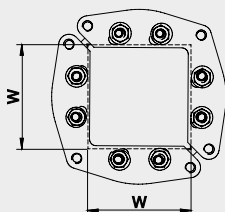


**ROUND TRANSITS**

DESCRIPTION	SLEEVE SIZE NEEDED	A (mm)	B (mm)	C (mm)	d (mm)	Z (mm)	Weight (kg)
HRTO-30	30	36	-	-	32	64	0,11
HRTO-40	40	46	-	-	40	64	0,15
HRTO-50	50	56	-	-	50	64	0,2
HRTO-70	70	85	105	50	70	70	0,5
HRTO-100	100	108	137	94	100	70	0,8
HRTO-125	125	150	163	124	125	74	0,95
HRTO-150	150	160	187	179	150	74	1,9
HRTO-200	200	210	237	226	200	74	3,7

\*All dimensions are nominal values

## Sealing Area



TYPE	SEALING AREA (mm)
HRTO-30	15x15
HRTO-40	20x20
HRTO-50	30x30
HRTO-70	40x40
HRTO-100	60x60
HRTO-125	80x80
HRTO-150	90x90
HRTO-200	120x120

## Installation references

	page
See assembly parts	66
See accessories	76
See installation guide	120
See inspection check	160