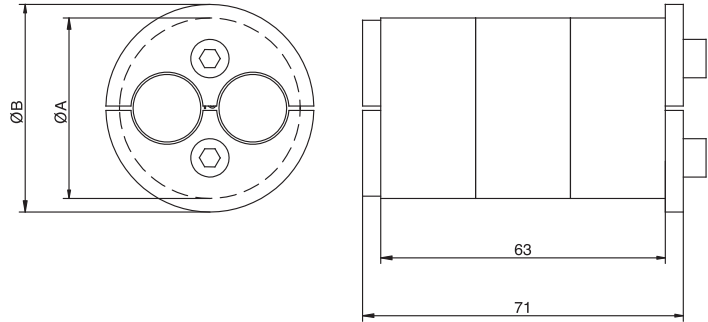


# HRST 40 2D15

Hawke HRST multihole designed for the sealing of up to 2 cables with an external diameter between 10 and 15 mm.



- ◆ Empty cable space to be filled with Plug HRST 2D15



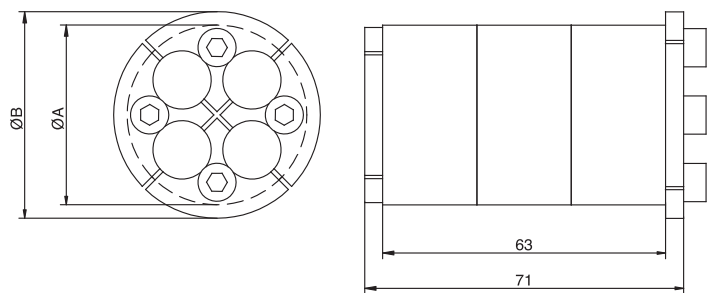
DESCRIPTION	SLEEVE SIZE NEEDED	NUMBER OF CABLES	SEALING FROM (mm)	SEALING TO (mm)	A (mm)	B (mm)	NUMBER OF BOLT	BOLT SIZE	WEIGHT (kg)
HRST 40 2D15	40	2	10	15	40	46	2	M5	0,17
Plug HRST 2D15				-					0,02

# HRST 40 4D12

Hawke HRST multihole designed for the sealing of up to 4 cables with an external diameter between 8 and 12 mm.



- ◆ Empty cable space to be filled with Plug HRST 4D12



DESCRIPTION	SLEEVE SIZE NEEDED	NUMBER OF CABLES	SEALING FROM (mm)	SEALING TO (mm)	A (mm)	B (mm)	NUMBER OF BOLT	BOLT SIZE	WEIGHT (kg)
HRST 40 4D12	40	4	8	12	40	46	4	M5	0,16
Plug HRST 4D12				-					0,02

◆ → Installation references

	page
See accessories	76
See installation guide	124
See inspection check	163