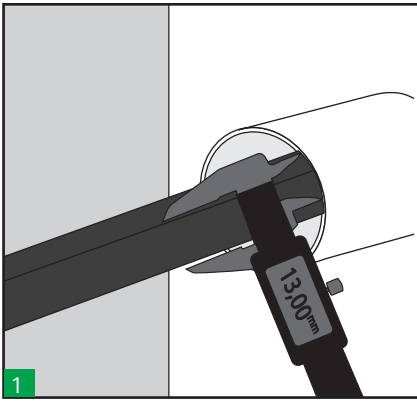
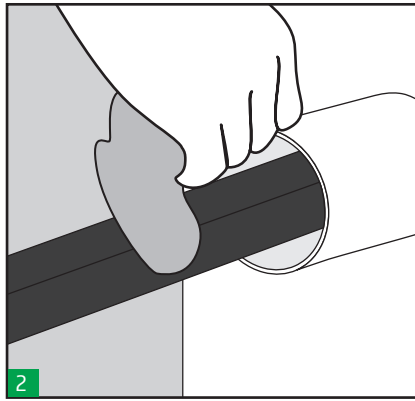


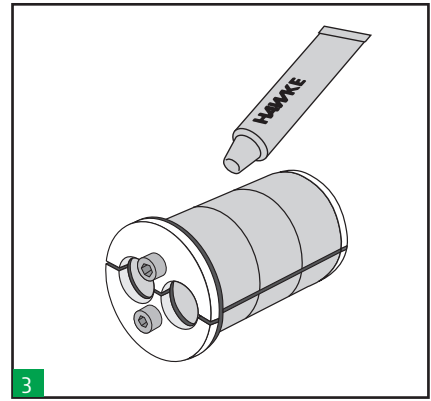
→ **HRST MULTIHOLE ROUND SYSTEM** standard installation guide:



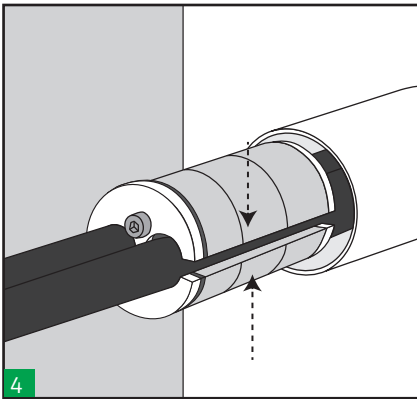
1 Check the inside diameter of the sleeve and the outside diameter of the cables to verify that it is within the range of selected HRST.



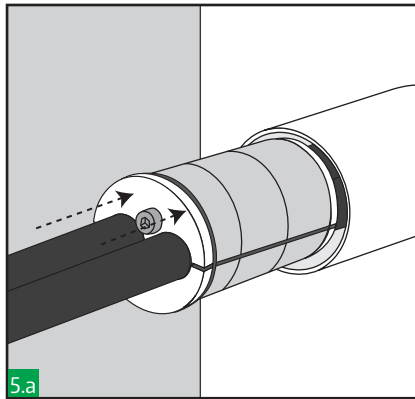
2 Make sure the sleeve and the cables are clean.



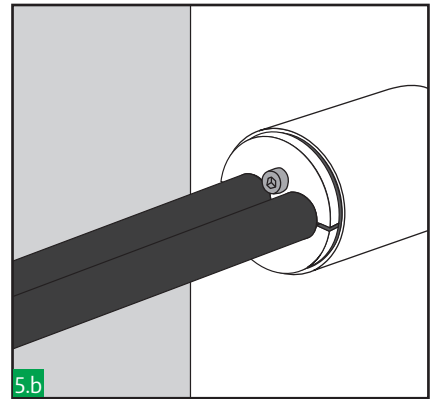
3 Lubricate the inside of the HRST to be in contact with the cables and lightly lubricate the outside in contact with the sleeve.



4 Open the HRST and install around the cables.

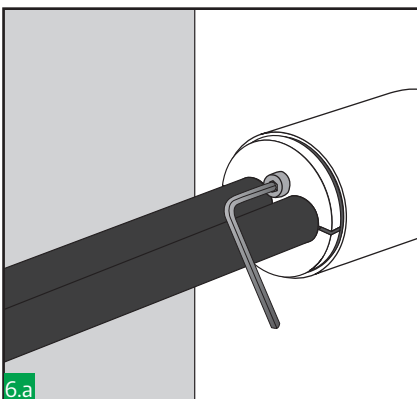


5.a

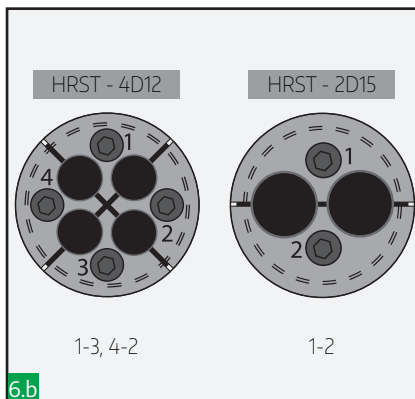


5.b

Insert the HRST into the sleeve. Check the HRST is completely inserted into the sleeve, front plates should be in contact with the sleeve.

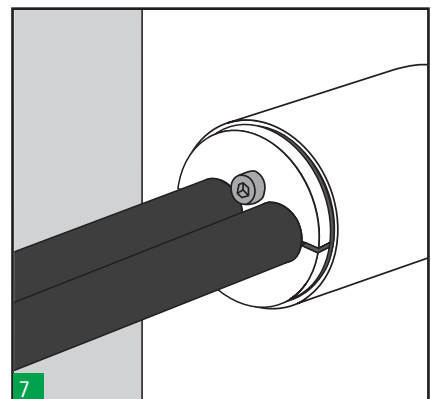


6.a



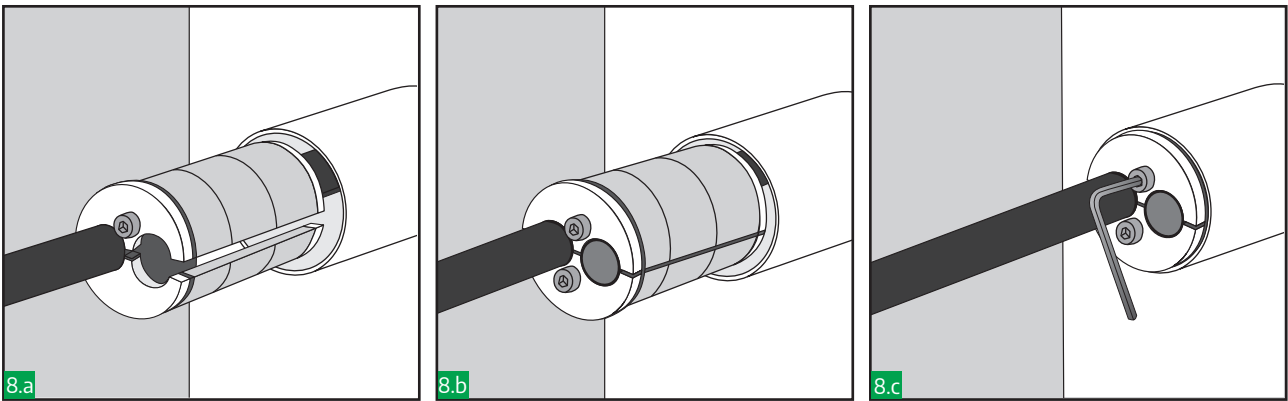
6.b

Tighten the bolts. Tightening must be done in one revolution step for each bolt following next sequence until the system is enough compressed to seal the cables.



7

Make a visual inspection of the transit. HRST selected match the cables and sleeve installed, HRST is completely inserted into the sleeve, does not exist gaps between HRST and the cable/pipe.



In case of any HRST hole are not occupied by cables always complete with Hawke HRST plugs.

DESCRIPTION	SLEEVE SIZE NEEDED	NUMBER OF CABLES	SEALING FROM (mm)	SEALING TO (mm)	A (mm)	B (mm)	NUMBER OF BOLT	BOLT SIZE	WEIGHT (kg)
HRST 40 2D15	40	2	10	15	40	46	2	M5	0,17
HRST 40 4D12	40	4	8	12	40	46	4	M5	0,16

◆ → **Notes**
 Leave the system at least 24 hours before applying pressure.

◆ → **Sealing Range**
 Check cable/pipe sealing range in HRST catalogue page 54.