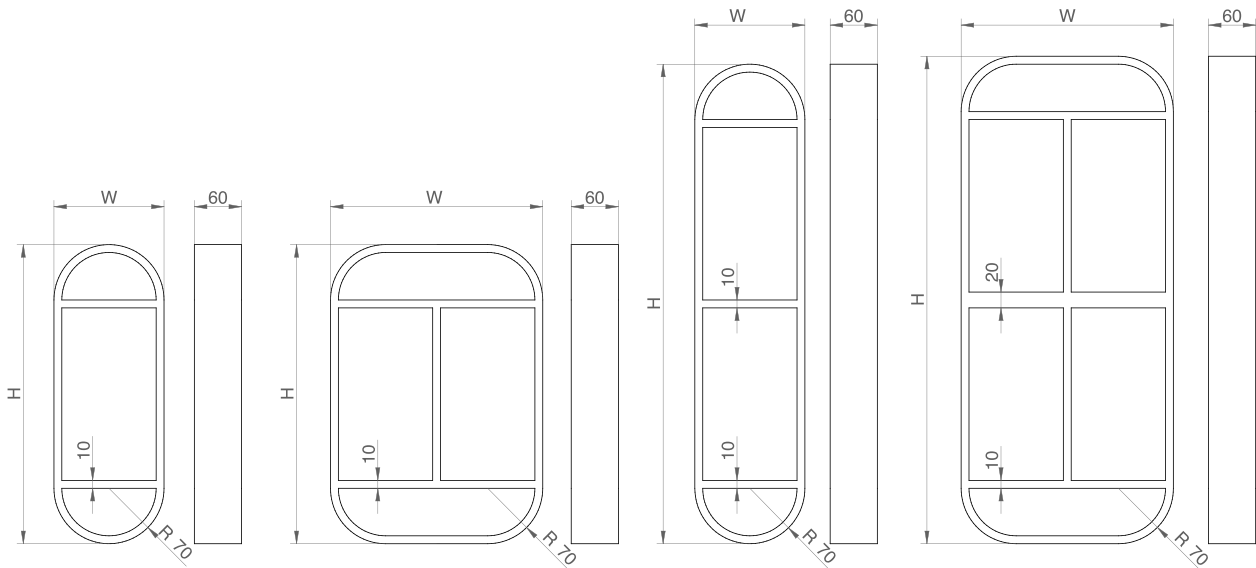


HMRX TB Frame

Standard HMX frame with end fillet pieces with radius corners added to the top and bottom sides of the frame for high stressed area applications.

CHARACTERISTICS

- ◆ Available in four standard sizes with 120mm width (internal), 2,4,6,8. Multiple frames are available as combination of two or more apertures arranged horizontally, vertically or both combined.
- ◆ Designed to be welded to a bulkhead or deck.
- ◆ Materials: Mild Steel, Stainless Steel.
Other materials under request.
- ◆ To be sealed with standard or EMC HF blocks, compression systems and accessories.



HMRX TB M
HMRX TB 6

HMRX TB MxN
HMRX TB 6x2

HMRX TB M+P
HMRX TB 6+6

HMRX TB M+PxN
HMRX TB 6+6x2

*Frame designation: M = size row 1; P = size row 2; N = number of columns.

TYPE	EXTERNAL DIMENSIONS (mm)		WEIGHT (Kg)	
	W	H	Mild Steel	Stainless Steel
HMRX R70 TB 2	140	261	5,1	5,2
HMRX R70 TB 4	140	319,5	5,6	5,8
HMRX R70 TB 6	140	378	6,2	6,3
HMRX R70 TB 6x2	271	378	10,9	11,1
HMRX R70 TB 6x3	401	378	15,6	15,9
HMRX R70 TB 6x4	531	378	20,2	20,7
HMRX R70 TB 6x5	662	378	24,9	25,5
HMRX R70 TB 6x6	792	378	29,6	30,4

*For other sizes or frame combinations not presented here, contact sales department

*All dimensions are nominal values

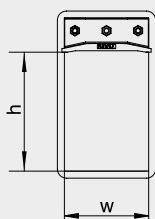
HMRX TB Frame

TYPE	EXTERNAL DIMENSIONS (mm)		WEIGHT (Kg)	
	W	H	Mild Steel	Stainless Steel
HMRX R70 TB 6+6	140	606	8,9	9,1
HMRX R70 TB 6+6x2	271	616	16,5	16,9
HMRX R70 TB 6+6x3	401	616	23,4	24,0
HMRX R70 TB 6+6x4	531	616	30,3	31,1
HMRX R70 TB 6+6x5	662	616	37,3	38,2
HMRX R70 TB 6+6x6	792	616	44,2	45,3
HMRX R70 TB 8	140	436,5	6,7	6,9
HMRX R70 TB 8x2	271	436,5	11,7	12,0
HMRX R70 TB 8x3	401	436,5	16,7	17,1
HMRX R70 TB 8x4	531	436,5	21,6	22,2
HMRX R70 TB 8x5	662	436,5	26,6	27,2
HMRX R70 TB 8x6	792	436,5	31,5	32,3
HMRX R70 TB 8+8	140	723	10,0	10,2
HMRX R70 TB 8+8x2	271	733	18,1	18,6
HMRX R70 TB 8+8x3	401	733	25,6	26,2
HMRX R70 TB 8+8x4	531	733	33,1	33,9
HMRX R70 TB 8+8x5	662	733	40,6	41,6
HMRX R70 TB 8+8x6	792	733	48,1	49,3

*For other sizes or frame combinations not presented here, contact sales department

*All dimensions are nominal values

Sealing Area



SIZE	SEALING AREA (w x h)
2	120x60
4	120x120
6	120x180
8	120x240

Installation references

	page
See assembly parts	66
See accessories	76
See installation guide	116
See welding instructions	150
See inspection check	158