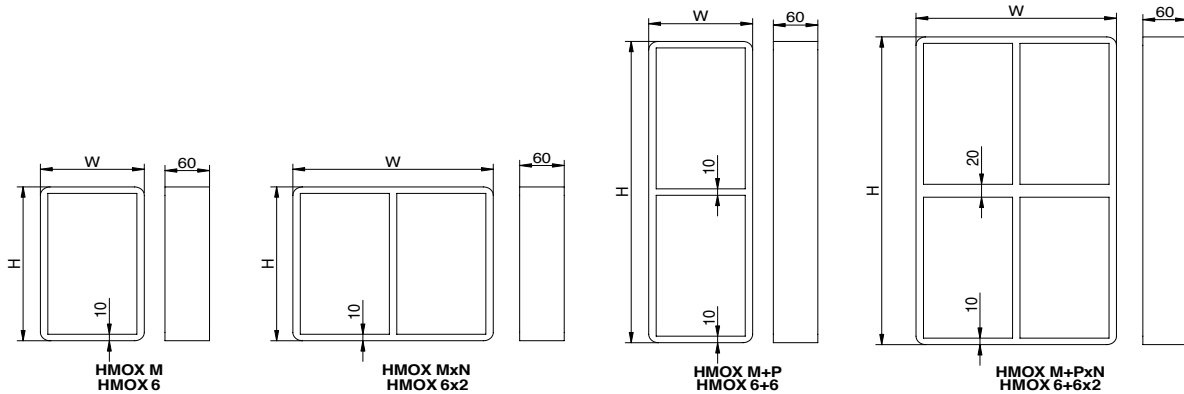


HMOX Frame

Rectangular frame for marine applications with removable end which allows to be installed around existing cables and pipes. Made from 10mm thickness steel.

CHARACTERISTICS

- ◆ Available in four standard sizes with 120mm width (internal), 2,4,6,8. Multiple frames are available as combination of two or more apertures arranged horizontally, vertically or both combined.
- ◆ Designed to be welded to a bulkhead or deck.
- ◆ Materials: Mild Steel, Stainless Steel.
Other materials under request.
- ◆ To be sealed with standard or EMC HF blocks, compression systems and accessories.



*Frame designation: M = size row 1; P = size row 2; N = number of columns.

DESCRIPTION	EXTERNAL DIMENSIONS (mm)		WEIGHT (Kg)	
	W	H	Mild Steel	Stainless Steel
HMOX 2	140	121	2,2	2,3
HMOX 2x2	271	121	3,9	4,0
HMOX 2x3	401	121	5,6	5,7
HMOX 2x4	531	121	7,3	7,5
HMOX 2x5	662	121	9,0	9,2
HMOX 2x6	792	121	10,7	11,0
HMOX 4	140	179,5	2,7	2,8
HMOX 4x2	271	179,5	4,7	4,8
HMOX 4x3	401	179,5	6,7	6,9
HMOX 4x4	531	179,5	8,7	8,9
HMOX 4x5	662	179,5	10,6	10,9
HMOX 4x6	792	179,5	12,6	12,9

*All dimensions are nominal values

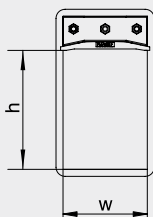
HMOX Frame

DESCRIPTION	EXTERNAL DIMENSIONS (mm)		WEIGHT (Kg)	
	W	H	Mild Steel	Stainless Steel
HMOX 4+4	140	349	4,9	5,0
HMOX 4+4x2	271	359	9,5	9,7
HMOX 4+4x3	401	359	13,4	13,7
HMOX 4+4x4	531	359	17,4	17,8
HMOX 4+4x5	662	359	21,3	21,8
HMOX 4+4x6	792	359	25,3	25,9
HMOX 6	140	238	3,3	3,4
HMOX 6x2	271	238	5,5	5,6
HMOX 6x3	401	238	7,8	8,0
HMOX 6x4	531	238	10,0	10,2
HMOX 6x5	662	238	12,3	12,6
HMOX 6x6	792	238	14,5	14,9
HMOX 6+6	140	466	6,0	6,1
HMOX 6+6x2	271	476	11,2	11,5
HMOX 6+6x3	401	476	15,6	16,0
HMOX 6+6x4	531	476	20,1	20,6
HMOX 6+6x5	662	476	24,6	25,2
HMOX 6+6x6	792	476	29,1	29,8
HMOX 8	140	296,5	3,8	3,9
HMOX 8x2	271	296,5	6,4	6,6
HMOX 8x3	401	296,5	8,9	9,1
HMOX 8x4	531	296,5	11,4	11,7
HMOX 8x5	662	296,5	13,9	14,2
HMOX 8x6	792	296,5	16,5	16,9
HMOX 8+8	140	583	7,1	7,3
HMOX 8+8x2	271	593	12,8	13,1
HMOX 8+8x3	401	593	17,8	18,2
HMOX 8+8x4	531	593	22,9	23,5
HMOX 8+8x5	662	593	27,9	28,6
HMOX 8+8x6	792	593	33,0	33,8

*For other sizes or frame combinations not presented here, contact sales department

*All dimensions are nominal values

Sealing Area



SIZE	SEALING AREA (w x h)
2	120x60
4	120x120
6	120x180
8	120x240

Installation references

	page
See assembly parts	66
See accessories	76
See installation guide	116
See welding instructions	156
See inspection check	158