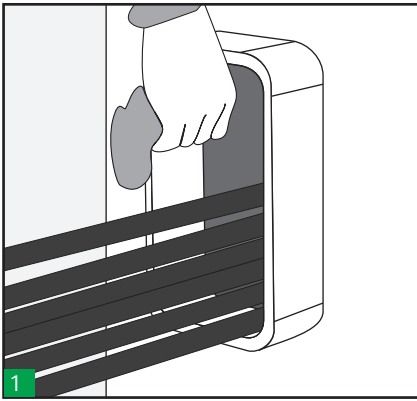
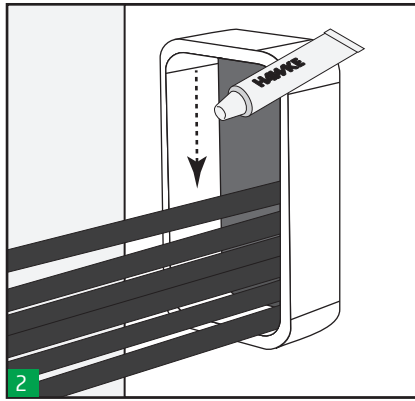


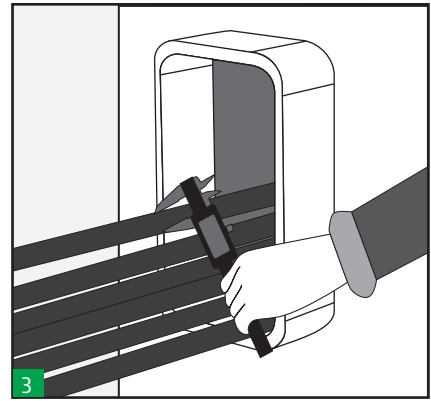
HMCX SYSTEM standard installation guide:



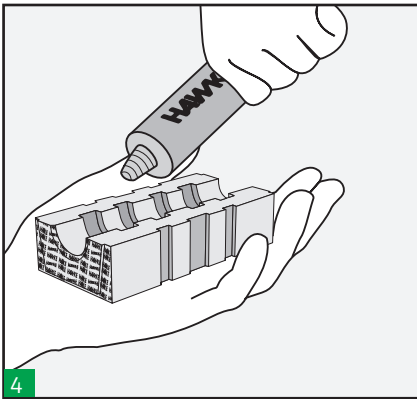
1 Make sure the frame is clean, then pull cables or pipes through, placing the largest at the bottom.
(Note: Use open ended frame to fit around existing cables/pipes)



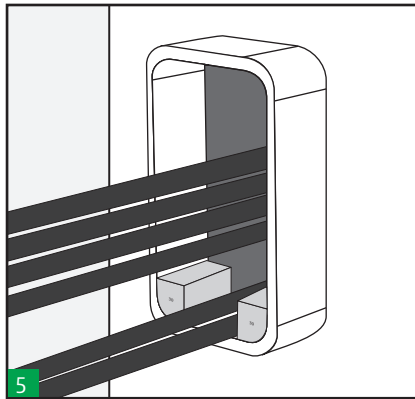
2 Lubricate the inside of the frame. Ensure the corners are well lubricated.



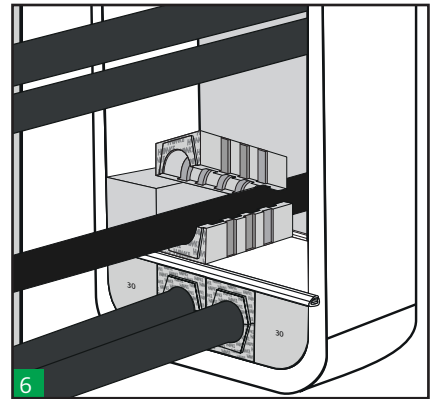
3 Take measures of the cables diameters and select the appropriate Hawke Tolerant blocks. Colour code will help you to select the correct ones.



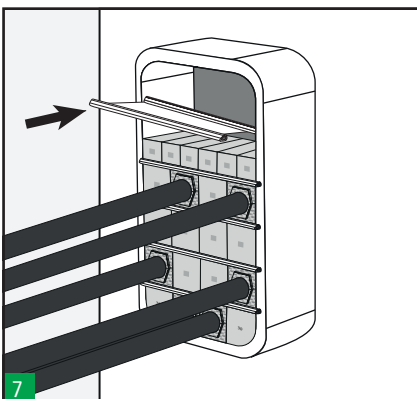
4 Lubricate all the insert and blank blocks using Hawke lubricant.



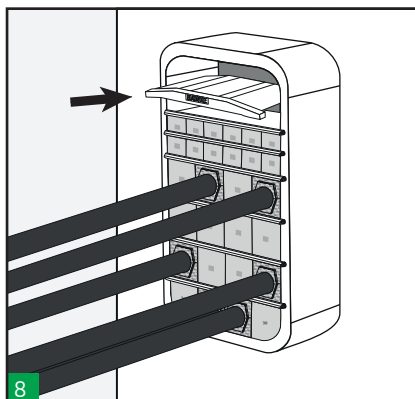
5 Insert HF200/R20 or HF300/R20 round corner blocks in the bottom corners of the frame.



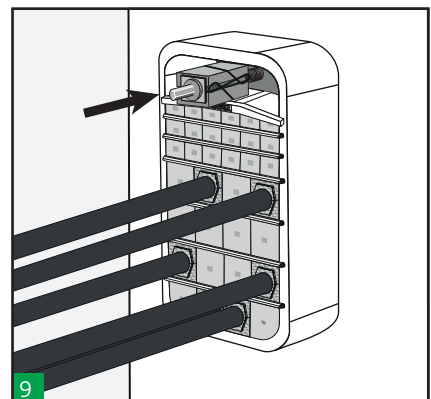
6 Begin packing the frame. Colour code will help you to install the blocks correctly.



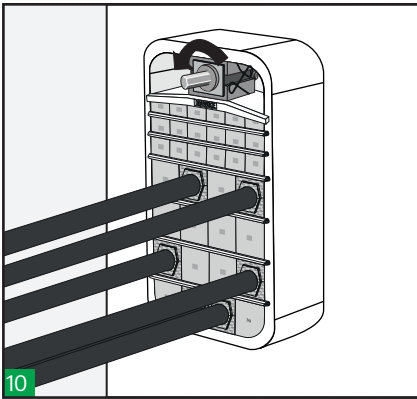
7 A stayplate is always inserted between each layer of blocks. Blocks should not protrude out of the stayplates retaining lips.



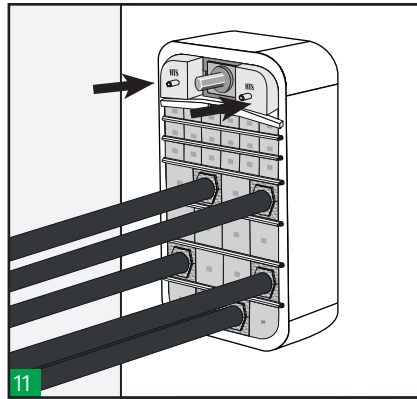
8 Insert the last stayplate and the compression plate before the last row of blocks (or earlier if required). Check frame packing space. Verify that the complete sealing area of this frame size (see table) will be filled with blocks.



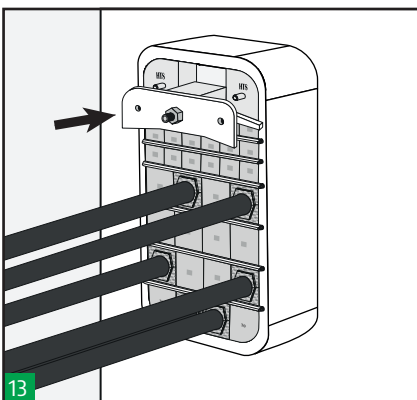
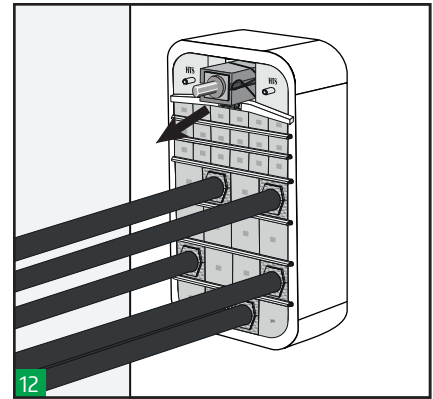
9 Pack the last row between the last stayplate and the compression plate. Insert the compression tool on the top, in the centre of the compression plate.



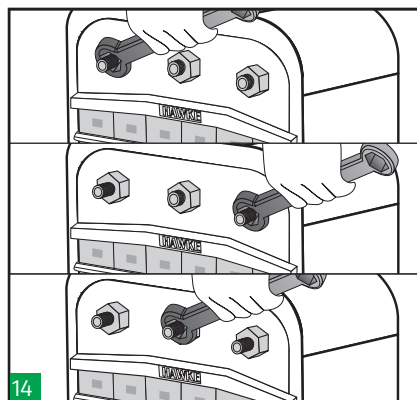
10 Tighten the compression tool until there is sufficient room to fit the outer blocks of the endpacker.



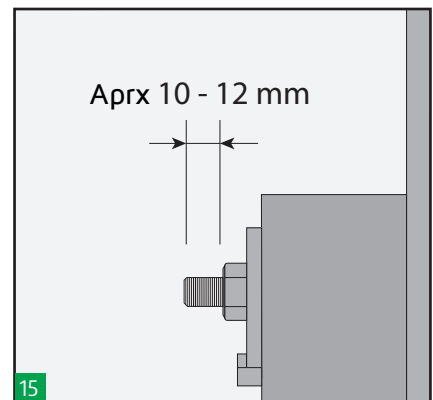
11 Insert the outer blocks of the endpacker. Then, untighten the compression tool and remove it.



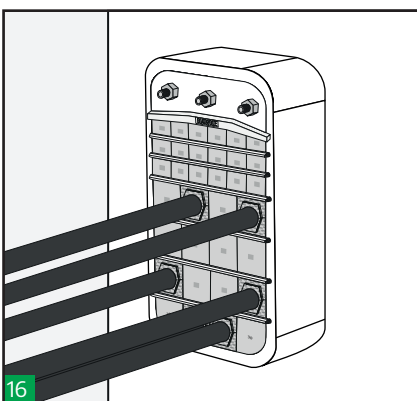
13 Insert the centre piece of the endpacker along with the front plate.



14 Tighten the nuts on the endpacking alternately following the above sequence to compress and complete the seal. Use a ratchet spanner for an easier installation.



15 Approximately 10-12 mm of thread should protrude on each bolt to ensure the sealing.

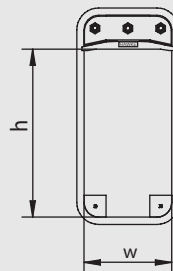


16 Make a visual inspection of the transit. Hawke's unique colour coding system enables the installation to be visually inspected after completion and ensures correct matching of the block halves.

◆ Notes

Leave the system at least 24 hours before applying pressure. For disassembly see disassembly instructions.

◆ Sealing Area



SIZE	SEALING AREA (w x h)
2	120x60
4	120x120
6	120x180
8	120x240

HTS-EN-A1002-Rev04-12/21