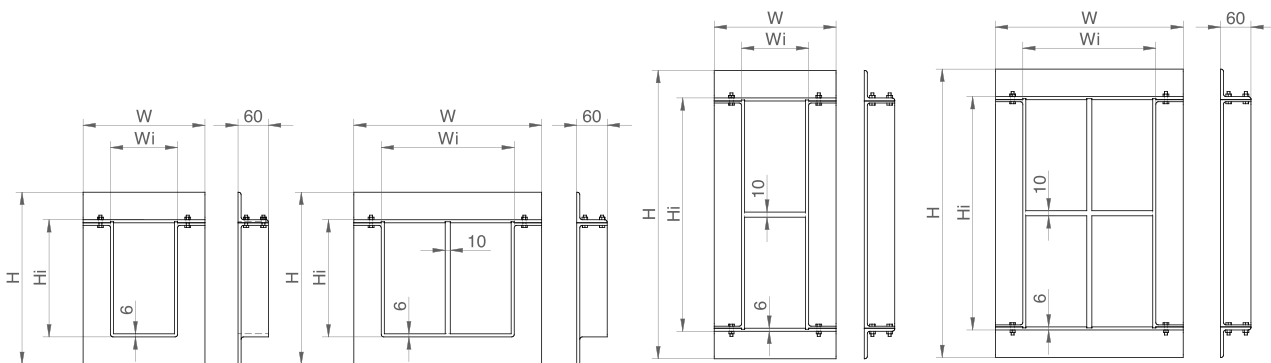


HCOX Frame

Rectangular civil frame with 60mm flange and removable end which allows installation around existing cables. Made in 6mm thickness steel with 60mm flange.

CHARACTERISTICS

- ◆ Available in four standard sizes 120 width, 2,4,6,8. Multiple frames are available as combination of two or more apertures arranged horizontally, vertically or both combined.
- ◆ Designed to be bolted or casted.
- ◆ Materials: Mild Steel, Stainless Steel.
Other materials under request.
- ◆ To be sealed with standard or EMC HF blocks, compression systems and accessories.



HCOX M
HCOX 6

HCOX MxN
HCOX 6x2

HCOX M+P
HCOX 6+6

HCOX M+PxN
HCOX 6+6x2

*Frame designation: M = size row 1; P = size row 2; N = number of columns.

DESCRIPTION	EXTERNAL DIMENSIONS (mm)				WEIGHT (Kg)	
	W	H	Wi	Hi	Mild Steel	Stainless Steel
HCOX 2	240	221	132	113	3,6	3,7
HCOX 2x2	371	221	263	113	5,5	5,6
HCOX 2x3	501	221	393	113	7,3	7,5
HCOX 2x4	631	221	523	113	9,1	9,3
HCOX 2x5	762	221	654	113	10,9	11,2
HCOX 2x6	892	221	784	113	12,7	13,1
HCOX 4	240	280	132	172	4,3	4,4
HCOX 4x2	371	280	263	172	6,3	6,5
HCOX 4x3	501	280	393	172	8,4	8,6
HCOX 4x4	631	280	523	172	10,5	10,7
HCOX 4x5	762	280	654	172	12,5	12,9
HCOX 4x6	892	280	784	172	14,6	15,0

*All dimensions are nominal values

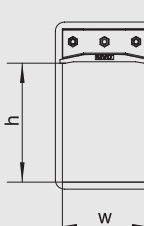
HCOX Frame

DESCRIPTION	EXTERNAL DIMENSIONS (mm)				WEIGHT (Kg)	
	W	H	Wi	Hi	Mild Steel	Stainless Steel
HCOX 4+4	240	449	132	341	7,0	7,2
HCOX 4+4x2	371	449	263	341	10,3	10,6
HCOX 4+4x3	501	449	393	341	13,6	13,9
HCOX 4+4x4	631	449	523	341	16,9	17,3
HCOX 4+4x5	762	449	654	341	20,2	20,7
HCOX 4+4x6	892	449	784	341	23,4	24,0
HCOX 6	240	338	132	230	4,9	5,0
HCOX 6x2	371	338	263	230	7,2	7,4
HCOX 6x3	501	338	393	230	9,5	9,8
HCOX 6x4	631	338	523	230	11,8	12,1
HCOX 6x5	762	338	654	230	14,2	14,5
HCOX 6x6	892	338	784	230	16,5	16,9
HCOX 6+6	240	566	132	458	8,3	8,5
HCOX 6+6x2	371	566	263	458	12,1	12,4
HCOX 6+6x3	501	566	393	458	15,9	16,3
HCOX 6+6x4	631	566	523	458	19,6	20,1
HCOX 6+6x5	762	566	654	458	23,4	24,0
HCOX 6+6x6	892	566	784	458	27,2	27,9
HCOX 8	240	397	132	289	5,5	5,7
HCOX 8x2	371	397	263	289	8,1	8,3
HCOX 8x3	501	397	393	289	10,7	10,9
HCOX 8x4	631	397	523	289	13,2	13,5
HCOX 8x5	762	397	654	289	15,8	16,2
HCOX 8x6	892	397	784	289	18,3	18,8
HCOX 8+8	240	683	132	575	9,6	9,8
HCOX 8+8x2	371	683	263	575	13,8	14,2
HCOX 8+8x3	501	683	393	575	18,1	18,6
HCOX 8+8x4	631	683	523	575	22,4	22,9
HCOX 8+8x5	762	683	654	575	26,7	27,3
HCOX 8+8x6	892	683	784	575	30,9	31,7

*For other sizes or frame combinations not presented here, contact sales department

*All dimensions are nominal values

→ Sealing Area



SIZE	SEALING AREA (w x h)
2	120x60
4	120x120
6	120x180
8	120x240

→ Installation references

	page
See assembly parts	66
See accessories	76
See installation guide	116
See bolted instructions	141
See inspection check	158