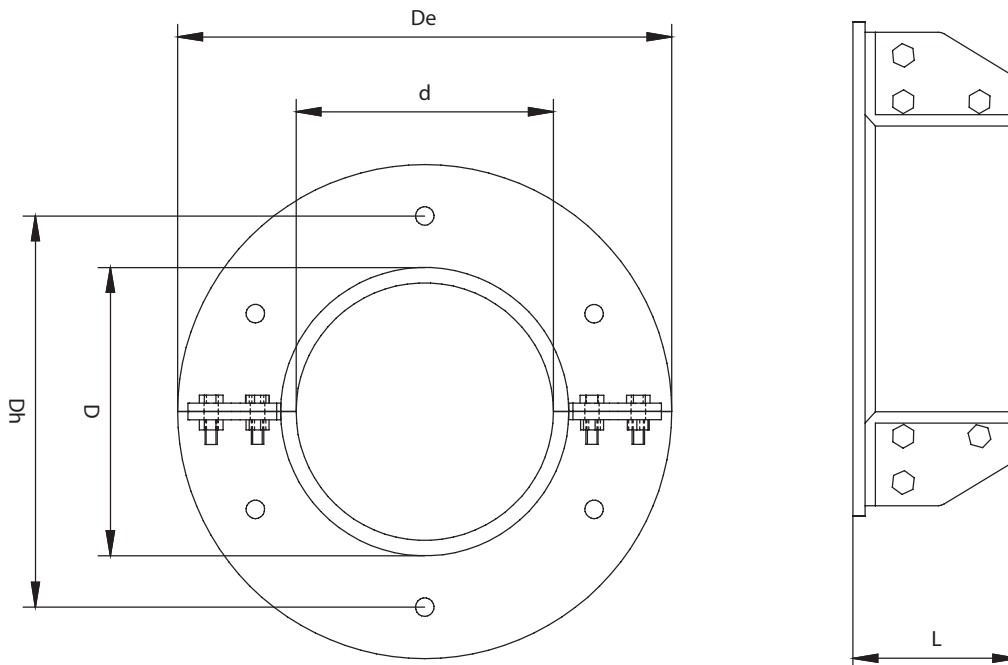


# CBO Sleeve

Sleeve with flange and removable end which allows installation around existing cables. To be used with Hawke Round transits.

## CHARACTERISTICS

- ◆ Designed to be bolted or casted
- ◆ Materials: Mild Steel, Stainless Steel and Aluminium
- ◆ To be sealed with standard or EMC HRT/HRTO and HRST.



## Mild Steel

DESCRIPTION	d (mm)	D (mm)	De (mm)	Dh (mm)	L (mm)	B (mm)	Holes	Weight (kg)
MS CBO-30	30	42	90	70	80	9	4	0,8
MS CBO-40	40	51	100	80	80	9	4	0,9
MS CBO-50	50	60,3	110	90	80	9	4	1,0
MS CBO-70	70	82,5	130	110	80	9	4	1,5
MS CBO-100	100	114,3	215	165	80	9	6	3,1
MS CBO-125	125	140	240	190	80	9	6	3,7
MS CBO-150	150	171	270	220	80	11	6	5,1
MS CBO-175	175	-	-	-	80	-	-	-
MS CBO-200	200	219,1	320	270	80	11	6	6,4

\*All dimensions are nominal values

# CBO Sleeve

## Stainless Steel

DESCRIPTION	d (mm)	D (mm)	De (mm)	Dh (mm)	L (mm)	B (mm)	Holes	Weight (kg)
SS CBO-30	30	42,2	90	70	80	9	4	0,8
SS CBO-40	40	50	100	80	80	9	4	0,9
SS CBO-50	50	60,3	110	90	80	9	4	1,1
SS CBO-70	70	88,9	135	110	80	9	4	1,5
SS CBO-100	100	114,3	215	165	80	9	6	3,1
SS CBO-125	125	140	240	190	80	9	6	3,8
SS CBO-150	150	168,3	270	220	80	11	6	5,2
SS CBO-175	175	-	-	-	80	-	-	-
SS CBO-200	200	219,1	320	270	80	11	6	6,6

\*All dimensions are nominal values

◆ → Installation references

	page
See assembly parts	66
See round frame HRTO	50
See round frame HRST	52
See accessories	76
See installation guide	116
See bolted instructions	146
See inspection check	160