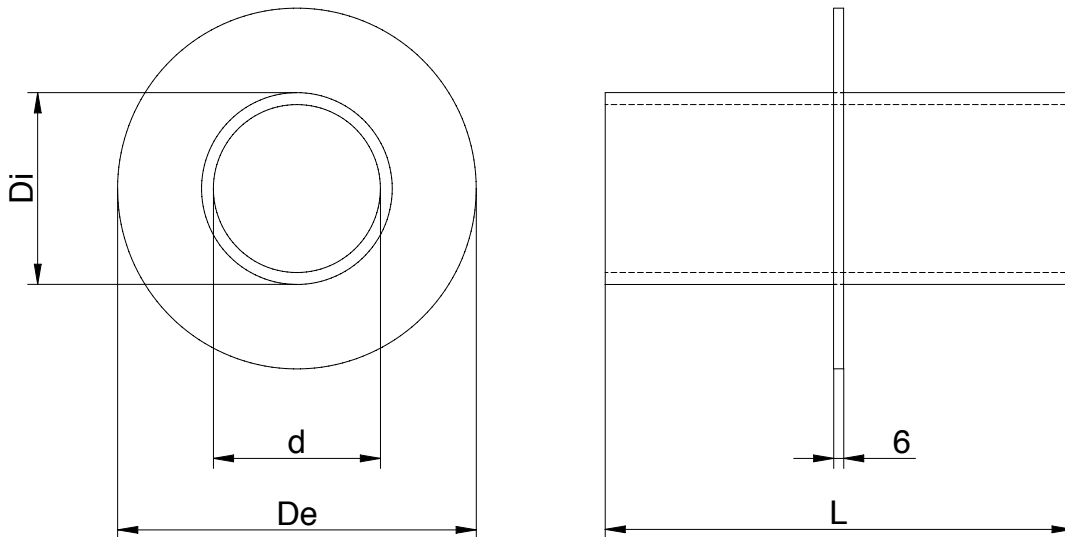


CBC Sleeve

Sleeve with flange for Hawke Round transits.

CHARACTERISTICS

- ◆ Designed to be casted.
- ◆ Materials: Mild Steel, Stainless Steel and Aluminium.
- ◆ To be sealed with standard or EMC HRT/HRTO and HRST.



Mild Steel

DESCRIPTION	d (mm)	Di(mm)	De (mm)	L (mm)	Min.Weight (kg)
MS CBC-30	30	42	90	min 80	0,6
MS CBC-40	40	50	100	min 80	0,7
MS CBC-50	50	60	110	min 80	0,8
MS CBC-70	70	80	130	min 80	1,3
MS CBC-100	100	110	215	min 80	2,8
MS CBC-125	125	140	240	min 80	3,4
MS CBC-150	150	171	270	min 80	4,8
MS CBC-175	175	194	-	min 80	-
MS CBC-200	200	220	320	min 80	6,2

*All dimensions are nominal values

*Lenght (L) on demand in purchase order, minimum 80mm

**Weight indicated for minimum lenght of 80mm

CBC Sleeve

Stainless Steel

DESCRIPTION	d (mm)	Di(mm)	De (mm)	L (mm)	Min.Weight (kg)
SS CBC-30	34	42	90	min 80	0,6
SS CBC-40	40	50	100	min 80	0,7
SS CBC-50	50	60	110	min 80	0,9
SS CBC-70	70	89	130	min 80	1,3
SS CBC-100	100	114	215	min 80	2,9
SS CBC-125	125	141	240	min 80	3,5
SS CBC-150	150	168	270	min 80	5,0
SS CBC-175	175	-	-	min 80	-
SS CBC-200	200	220	320	min 80	6,3

*All dimensions are nominal values

*Lenght (L) on demand in purchase order, minimum 80mm

**Weight indicated for minimum lenght of 80mm

Installation references

See assembly parts	66
See round frame HRTO	50
See round frame HRST	52
See accessories	76
See installation guide	116
See welding instructions	152
See inspection check	160