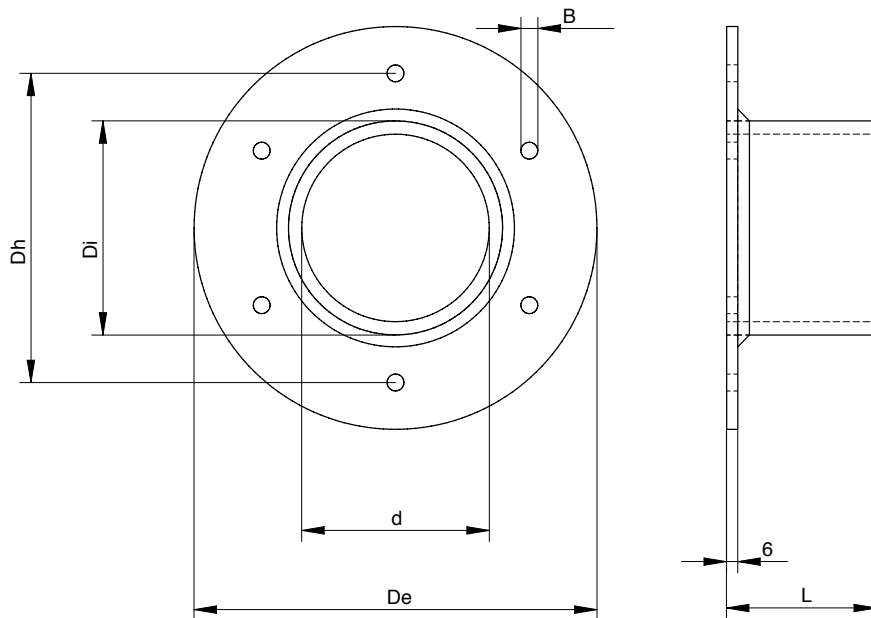


CB Sleeve

Sleeves with flange for Hawke Round transits.

CHARACTERISTICS

- ◆ Designed to be bolted or casted
- ◆ Materials: Mild Steel, Stainless Steel and Aluminium
- ◆ To be sealed with standard or EMC HRT/HRTO and HRST.



Mild Steel

DESCRIPTION	d (mm)	Di (mm)	De (mm)	Dh (mm)	L (mm)	B (mm)	Holes	Weight (kg)
MS CB-30	30	42	90	70	80	9	4	0,6
MS CB-40	40	50	100	80	80	9	4	0,7
MS CB-50	50	60	110	90	80	9	4	0,8
MS CB-70	70	80	130	110	80	9	4	1,3
MS CB-100	100	110	215	165	80	9	6	2,8
MS CB-125	125	140	240	190	80	9	6	3,4
MS CB-150	150	171	270	220	80	11	6	4,8
MS CB-175	175	194	-	-	80	-	-	-
MS CB-200	200	220	320	270	80	11	6	6,2

*All dimensions are nominal values

CB Sleeve

Stainless Steel

DESCRIPTION	d (mm)	Di (mm)	De (mm)	Dh (mm)	L (mm)	B (mm)	Holes	Weight (kg)
SS CB-30	34	42	90	70	80	9	4	0,6
SS CB-40	40	50	100	80	80	9	4	0,7
SS CB-50	50	60	110	90	80	9	4	0,9
SS CB-70	70	89	130	110	80	9	4	1,3
SS CB-100	100	114	215	165	80	9	6	2,9
SS CB-125	125	141	240	190	80	9	6	3,5
SS CB-150	150	168	270	220	80	11	6	5,0
SS CB-175	175	-	-	-	80	-	-	-
SS CB-200	200	220	320	270	80	11	6	6,3

*All dimensions are nominal values

◆ → **Installation references**

See assembly parts	66
See round frame HRTO	50
See round frame HRST	52
See accessories	76
See installation guide	116
See bolted instructions	146
See inspection check	160