

HRST EMC

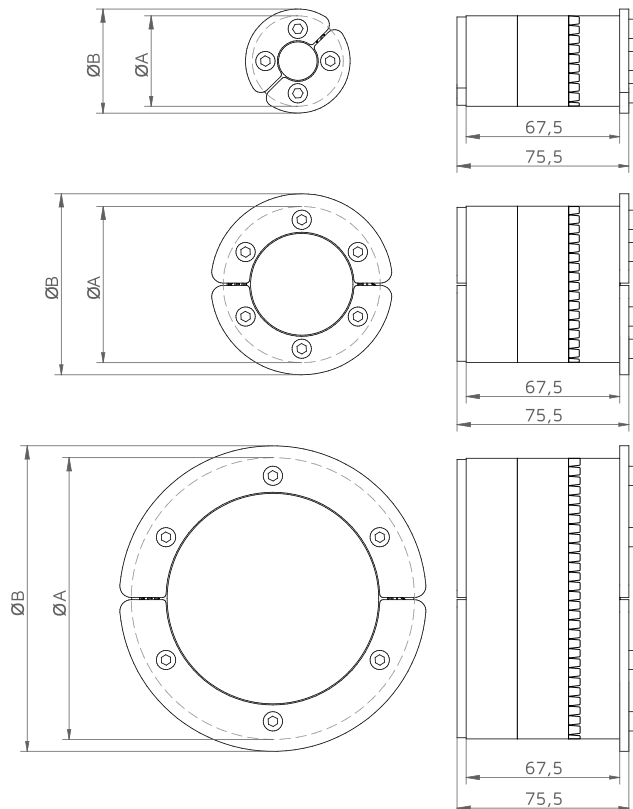
Hawke EMC HRST is a round sealing solution for a single cable/pipe passing through a wall or bulkhead/deck.

It is to be used when electromagnetic compatibility (EMC) is needed. Copper tape provides a high conductive path from cable screen to earth, avoiding interferences and noise.

Each size of HRST frame can seal a large range of diameters without any onsite modifications.

CHARACTERISTICS

- ◆ Available to seal services from 4mm up to 170mm of external diameter, in standard version.
- ◆ Designed to be installed using Hawke Sleeves (welded, bolted or casted).
- ◆ Manufactured in intumescent elastomer polymer with stainless steel front and back plates. Each HRST frame has a gasket to prevent galvanic corrosion when installed within a mild steel sleeve.
- ◆ HRST is always supplied as an open frame. This enables the frame to be installed after cable/pipe installation.
- ◆ No extra tools are required for its installation.



HRST EMC

DESCRIPTION	SLEEVE SIZE NEEDED	SEALING FROM (mm)	SEALING TO (mm)	A (mm)	B (mm)	WEIGHT (kg)	COLOUR
HRST-30/4/ES	30	4	10	32	36	0,16	White
HRST-30/7/ES	30	7	14	32	36	0,15	Red
HRST-30/10/ES	30	10	17	32	36	0,14	Blue
HRST-40/4/ES	40	4	10	40	46	0,24	Purple
HRST-40/7/ES	40	7	14	40	46	0,23	yellow
HRST-40/10/ES	40	10	17	40	46	0,21	Green
HRST-40/17/ES	40	17	24	40	46	0,18	Pink
HRST-50/4/ES	50	4	10	50	56	0,35	Red
HRST-50/10/ES	50	10	17	50	56	0,33	White
HRST-50/17/ES	50	17	24	50	56	0,29	Blue
HRST-50/24/ES	50	24	30	50	56	0,25	Orange
HRST-70/26/ES	70	26	33	69	80	0,56	Purple
HRST-70/33/ES	70	33	39	69	80	0,50	Yellow
HRST-70/39/ES	70	39	45	69	80	0,44	Green
HRST-70/45/ES	70	45	50	69	80	0,38	Pink
HRST-100/48/ES	100	48	55	99	110	0,96	Red
HRST-100/55/ES	100	55	61	99	110	0,87	White
HRST-100/61/ES	100	61	66	99	110	0,79	Blue
HRST-100/66/ES	100	66	71	99	110	0,71	Orange
HRST-125/64/ES	125	64	71	124	135	1,42	Purple
HRST-125/71/ES	125	71	79	124	135	1,27	Yellow
HRST-125/79/ES	125	79	86	124	135	1,12	Green
HRST-125/86/ES	125	86	93	124	135	0,96	Pink
HRST-125/93/ES	125	93	98	124	135	0,84	Orange
HRST-150/93/ES	150	93	102	149	160	1,79	Red
HRST-150/102/ES	150	102	108	149	160	1,63	White
HRST-150/108/ES	150	108	115	149	160	1,43	Blue
HRST-150/115/ES	150	115	120	149	160	1,28	Orange
HRST-175/118/ES	175	118	125	174	185	2,16	Purple
HRST-175/125/ES	175	125	132	174	185	1,93	Yellow
HRST-175/132/ES	175	132	138	174	185	1,72	Green
HRST-175/138/ES	175	138	145	174	185	1,47	Pink
HRST-200/136/ES	200	136	143	199	210	2,73	Red
HRST-200/143/ES	200	143	150	199	210	2,48	White
HRST-200/150/ES	200	150	157	199	210	2,20	Blue
HRST-200/157/ES	200	157	164	199	210	1,92	Orange
HRST-200/164/ES	200	164	170	199	210	1,67	Yellow

*All dimensions are nominal values

Installation references

	page
See assembly parts	66
See accessories	76
See installation guide	135
See inspection check	162