



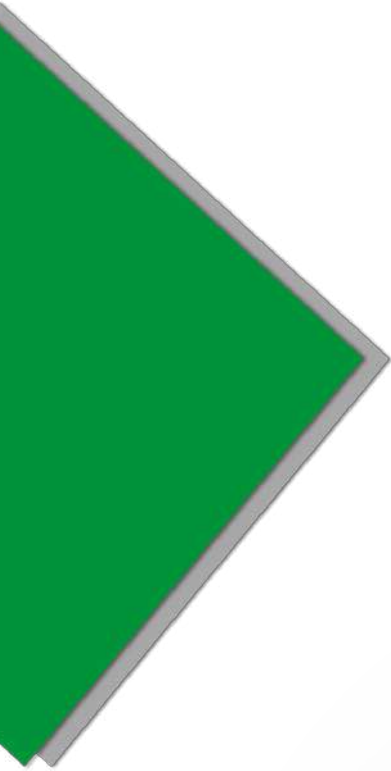
HAWKE

Transit System

www.HAWKE-HTS.COM

MARINE FRAMES

MARINE FRAMES



Marine frame with a 60mm flange to be welded to a metallic bulkhead or deck. - **HMX**

For standard applications, to be welded to a pre-cut metallic bulkhead or deck - **HMX**



Round corners frame to reduce the risk of cracks when there is a likelihood of stress on the corners of the frame. - **HMCX**



For high stressed area applications, end fillet pieces with radius corners are added to the HMX frame. - **HMRX TB**

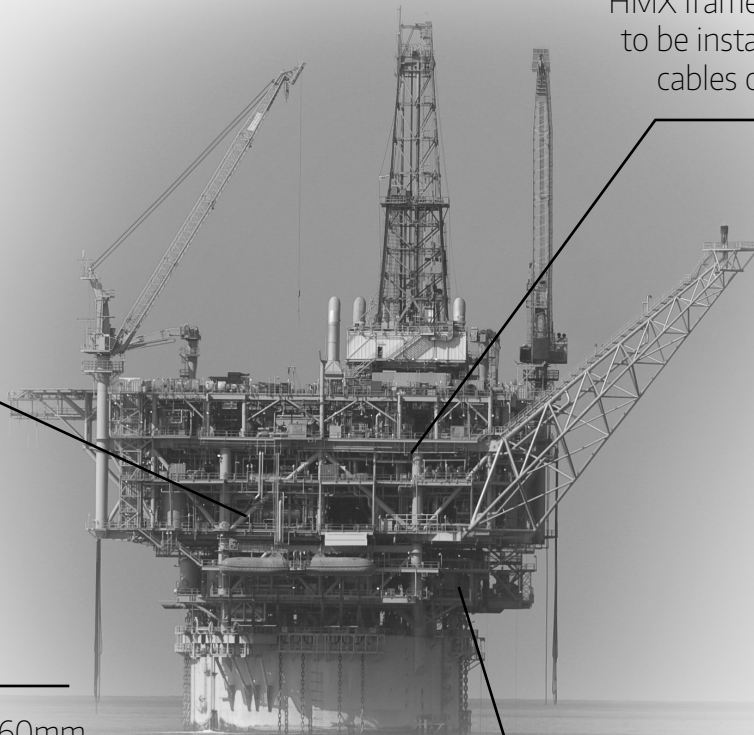




Back to back frame for use when extra pressure and fire resistance are needed. HMBX is a double frame which packed from both sides. - **HMBX**



HMX frame with removable end to be installed around existing cables or pipes. - **HMOX**



Marine frame with a 60mm flange to be bolted to a metallic bulkhead or deck. - **HMF BX**



A standard HMX frame extended using a welded collar. For use in corrugated bulkheads or to lift the frame above deck level - **HME X**

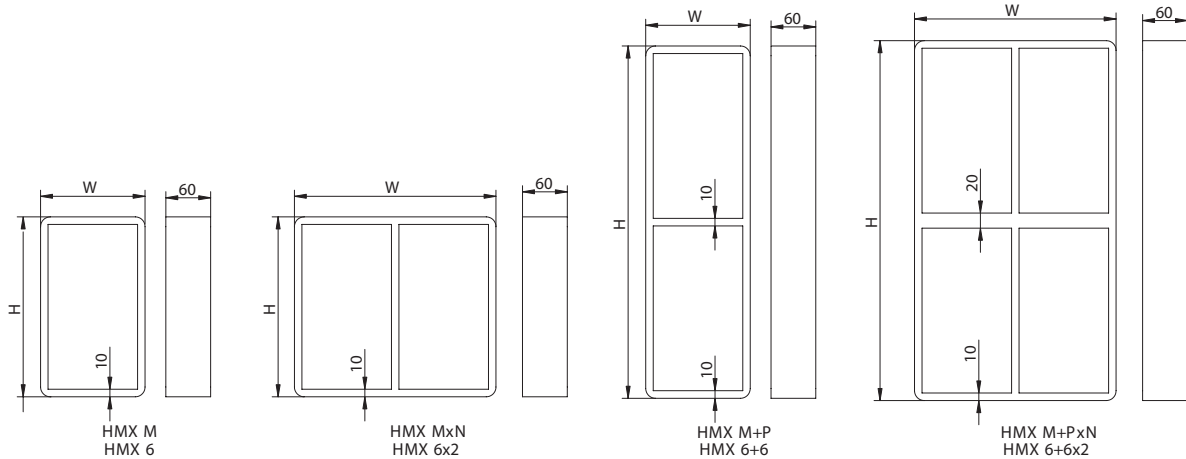


HMX Frame

Rectangular frame for marine applications.
Made from 10mm thickness steel.

CHARACTERISTICS

- ◆ Available in four standard sizes with 120mm width (internal), 2,4,6,8 and in four standard sizes 60mm width (Internal), 1,3,5,7. Multiple frames are available as combination of two or more apertures arranged horizontally, vertically or both combined.
- ◆ Designed to be welded to a bulkhead or deck.
- ◆ Materials: Mild Steel, Stainless Steel.
Aluminium and other materials under request.
- ◆ To be sealed with standard or EMC HF blocks, compression systems and accessories.



*Frame designation: M = size row 1; P = size row 2; N = number of columns.

DESCRIPTION	EXTERNAL DIMENSIONS (mm)		WEIGHT (Kg)	
	W	H	Mild Steel	Stainless Steel
HMX 1	80	121	1,6	1,6
HMX 2	140	121	2,2	2,3
HMX 2x2	271	121	3,9	4,0
HMX 2x3	401	121	5,6	5,7
HMX 2x4	531	121	7,3	7,5
HMX 2x5	662	121	9,0	9,2
HMX 2x6	792	121	10,7	11,0
HMX 3	80	179,5	2,2	2,3
HMX 4	140	179,5	2,7	2,8
HMX 4x2	271	179,5	4,7	4,8
HMX 4x3	401	179,5	6,7	6,9
HMX 4x4	531	179,5	8,7	8,9
HMX 4x5	662	179,5	10,6	10,9
HMX 4x6	792	179,5	12,6	12,9

*All dimensions are nominal values

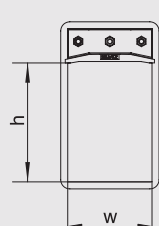
HMX Frame

DESCRIPTION	EXTERNAL DIMENSIONS (mm)		WEIGHT (Kg)	
	W	H	Mild Steel	Stainless Steel
HMX 4+4	140	349	4,9	5,0
HMX 4+4x2	271	359	9,5	9,7
HMX 4+4x3	401	359	13,4	13,7
HMX 4+4x4	531	359	17,4	17,8
HMX 4+4x5	662	359	21,3	21,8
HMX 4+4x6	792	359	25,3	25,9
HMX 5	80	238	2,7	2,8
HMX 6	140	238	3,3	3,4
HMX 6x2	271	238	5,5	5,6
HMX 6x3	401	238	7,8	8,0
HMX 6x4	531	238	10,0	10,2
HMX 6x5	662	238	12,3	12,6
HMX 6x6	792	238	14,5	14,9
HMX 6+6	140	466	6,0	6,1
HMX 6+6x2	271	476	11,2	11,5
HMX 6+6x3	401	476	15,6	16,0
HMX 6+6x4	531	476	20,1	20,6
HMX 6+6x5	662	476	24,6	25,2
HMX 6+6x6	792	476	29,1	29,8
HMX 7	80	296,5	3,3	3,4
HMX 8	140	296,5	3,8	3,9
HMX 8x2	271	296,5	6,4	6,6
HMX 8x3	401	296,5	8,9	9,1
HMX 8x4	531	296,5	11,4	11,7
HMX 8x5	662	296,5	13,9	14,2
HMX 8x6	792	296,5	16,5	16,9
HMX 8+8	140	583	7,1	7,3
HMX 8+8x2	271	593	12,8	13,1
HMX 8+8x3	401	593	17,8	18,2
HMX 8+8x4	531	593	22,9	23,5
HMX 8+8x5	662	593	27,9	28,6
HMX 8+8x6	792	593	33,0	33,8

*For other sizes or frame combinations not presented here, contact sales department

*All dimensions are nominal values

→ Sealing Area



APERTURE SIZE	SEALING AREA (w x h)
1	60 x 60
2	120 x 60
3	60 x 120
4	120 x 120
5	60 x 180
6	120 x 180
7	60 x 240
8	120 x 240

→ Installation references

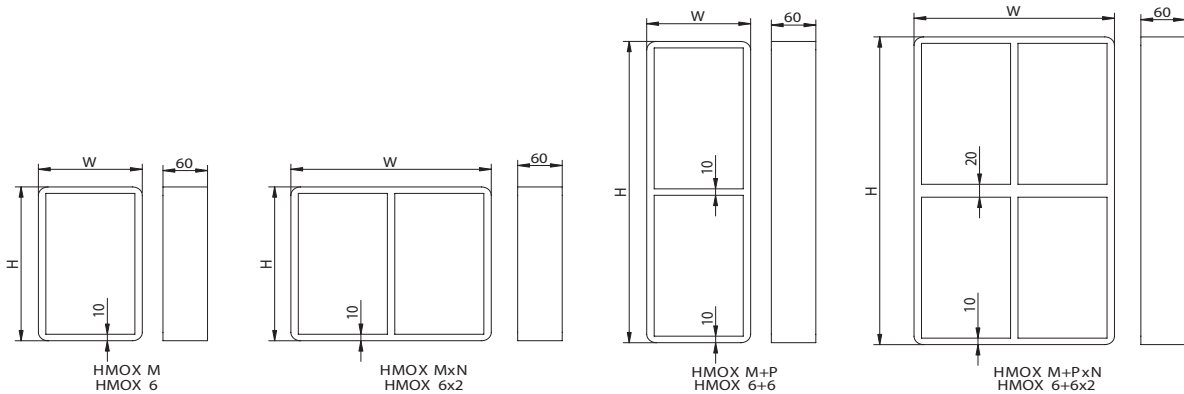
	page
See assembly parts	66
See accessories	76
See installation guide	116
See welding instructions	150
See inspection check	158

HMOX Frame

Rectangular frame for marine applications with removable end which allows to be installed around existing cables and pipes. Made from 10mm thickness steel.

CHARACTERISTICS

- ◆ Available in four standard sizes with 120mm width (internal), 2,4,6,8. Multiple frames are available as combination of two or more apertures arranged horizontally, vertically or both combined.
- ◆ Designed to be welded to a bulkhead or deck.
- ◆ Materials: Mild Steel, Stainless Steel.
Other materials under request.
- ◆ To be sealed with standard or EMC HF blocks, compression systems and accessories.



*Frame designation: M = size row 1; P = size row 2; N = number of columns.

DESCRIPTION	EXTERNAL DIMENSIONS (mm)		WEIGHT (Kg)	
	W	H	Mild Steel	Stainless Steel
HMOX 2	140	121	2,2	2,3
HMOX 2x2	271	121	3,9	4,0
HMOX 2x3	401	121	5,6	5,7
HMOX 2x4	531	121	7,3	7,5
HMOX 2x5	662	121	9,0	9,2
HMOX 2x6	792	121	10,7	11,0
HMOX 4	140	179,5	2,7	2,8
HMOX 4x2	271	179,5	4,7	4,8
HMOX 4x3	401	179,5	6,7	6,9
HMOX 4x4	531	179,5	8,7	8,9
HMOX 4x5	662	179,5	10,6	10,9
HMOX 4x6	792	179,5	12,6	12,9

*All dimensions are nominal values

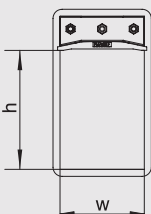
HMOX Frame

DESCRIPTION	EXTERNAL DIMENSIONS (mm)		WEIGHT (Kg)	
	W	H	Mild Steel	Stainless Steel
HMOX 4+4	140	349	4,9	5,0
HMOX 4+4x2	271	359	9,5	9,7
HMOX 4+4x3	401	359	13,4	13,7
HMOX 4+4x4	531	359	17,4	17,8
HMOX 4+4x5	662	359	21,3	21,8
HMOX 4+4x6	792	359	25,3	25,9
HMOX 6	140	238	3,3	3,4
HMOX 6x2	271	238	5,5	5,6
HMOX 6x3	401	238	7,8	8,0
HMOX 6x4	531	238	10,0	10,2
HMOX 6x5	662	238	12,3	12,6
HMOX 6x6	792	238	14,5	14,9
HMOX 6+6	140	466	6,0	6,1
HMOX 6+6x2	271	476	11,2	11,5
HMOX 6+6x3	401	476	15,6	16,0
HMOX 6+6x4	531	476	20,1	20,6
HMOX 6+6x5	662	476	24,6	25,2
HMOX 6+6x6	792	476	29,1	29,8
HMOX 8	140	296,5	3,8	3,9
HMOX 8x2	271	296,5	6,4	6,6
HMOX 8x3	401	296,5	8,9	9,1
HMOX 8x4	531	296,5	11,4	11,7
HMOX 8x5	662	296,5	13,9	14,2
HMOX 8x6	792	296,5	16,5	16,9
HMOX 8+8	140	583	7,1	7,3
HMOX 8+8x2	271	593	12,8	13,1
HMOX 8+8x3	401	593	17,8	18,2
HMOX 8+8x4	531	593	22,9	23,5
HMOX 8+8x5	662	593	27,9	28,6
HMOX 8+8x6	792	593	33,0	33,8

*For other sizes or frame combinations not presented here, contact sales department

*All dimensions are nominal values

→ Sealing Area



SIZE	SEALING AREA (w x h)
2	120x60
4	120x120
6	120x180
8	120x240

→ Installation references

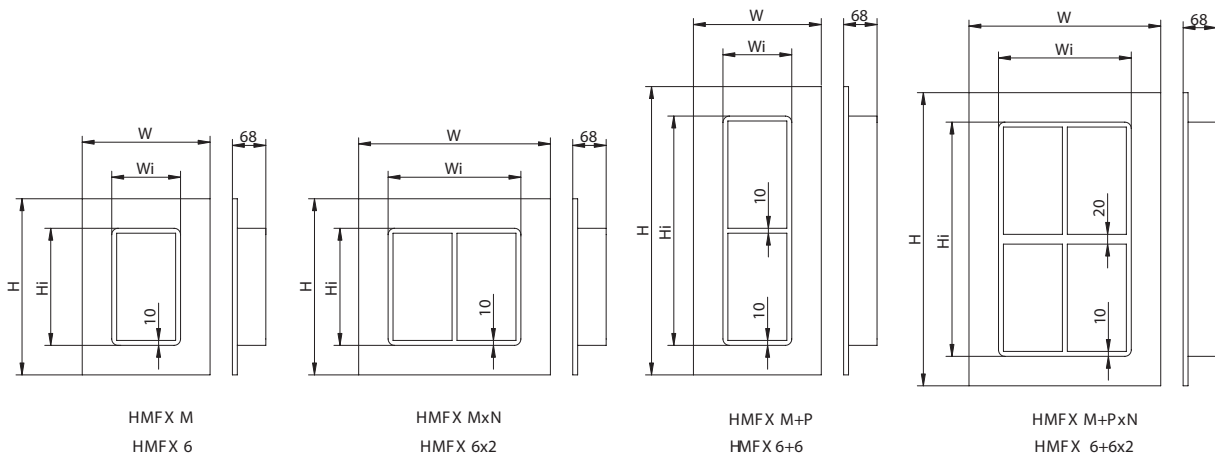
	page
See assembly parts	66
See accessories	76
See installation guide	116
See welding instructions	156
See inspection check	158

HMFx Frame

Rectangular frame with flange for marine applications.
Made from 10mm thickness steel with a 60mm flange.

CHARACTERISTICS

- ◆ Available in four standard sizes with 120mm width (internal), 2, 4, 6, 8. Multiple frames are available as a combination of two or more apertures arranged horizontally, vertically or both combined. (*)
- ◆ Designed to be welded to a bulkhead or deck.
- ◆ Material: Mild Steel, Stainless Steel, Aluminium and other materials under request.
- ◆ To be sealed with standard or EMC HF blocks, compression systems and accessories.



*Frame designation: M = size row 1; P = size row 2; N = number of columns.

DESCRIPTION	EXTERNAL DIMENSIONS (mm)				WEIGHT (Kg)	
	W	H	Wi	Hi	Mild Steel	Stainless Steel
HMFx 2	260	241	140	121	5,9	6,0
HMFx 2x2	391	241	271	121	8,7	8,9
HMFx 2x3	521	241	401	121	11,6	11,9
HMFx 2x4	651	241	531	121	14,5	14,9
HMFx 2x5	782	241	662	121	17,5	17,9
HMFx 2x6	912	241	792	121	20,4	20,9
HMFx 4	260	299,5	140	179,5	6,9	7,1
HMFx 4x2	391	299,5	271	179,5	10,1	10,3
HMFx 4x3	521	299,5	401	179,5	13,3	13,6
HMFx 4x4	651	299,5	531	179,5	16,5	16,9
HMFx 4x5	782	299,5	662	179,5	19,7	20,2
HMFx 4x6	912	299,5	792	179,5	22,9	23,4

*All dimensions are nominal values

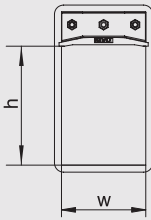
HMFx Frame

DESCRIPTION	EXTERNAL DIMENSIONS (mm)				WEIGHT (Kg)	
	W	H	Wi	Hi	Mild Steel	Stainless Steel
HMFx 4+4	260	469	140	349	10,6	10,9
HMFx 4+4x2	391	479	271	359	16,6	17,0
HMFx 4+4x3	521	479	401	359	21,7	22,3
HMFx 4+4x4	651	479	531	359	26,9	27,6
HMFx 4+4x5	782	479	662	359	32,1	32,8
HMFx 4+4x6	912	479	792	359	37,2	38,1
HMFx 6	260	358	140	238	8,0	8,2
HMFx 6x2	391	358	271	238	11,5	11,7
HMFx 6x3	521	358	401	238	14,9	15,3
HMFx 6x4	651	358	531	238	18,4	18,9
HMFx 6x5	782	358	662	238	21,9	22,4
HMFx 6x6	912	358	792	238	25,3	26,0
HMFx 6+6	260	586	140	466	12,8	13,2
HMFx 6+6x2	391	596	271	476	19,3	19,8
HMFx 6+6x3	521	596	401	476	25,0	25,6
HMFx 6+6x4	651	596	531	476	30,7	31,5
HMFx 6+6x5	782	596	662	476	36,5	37,4
HMFx 6+6x6	912	596	792	476	42,2	43,2
HMFx 8	260	416,5	140	296,5	9,1	9,3
HMFx 8x2	391	416,5	271	296,5	12,8	13,1
HMFx 8x3	521	416,5	401	296,5	16,6	17,0
HMFx 8x4	651	416,5	531	296,5	20,3	20,8
HMFx 8x5	782	416,5	662	296,5	24,1	24,7
HMFx 8x6	912	416,5	792	296,5	27,8	28,5
HMFx 8+8	260	703	140	583	15,0	15,4
HMFx 8+8x2	391	713	271	593	22,1	22,6
HMFx 8+8x3	521	713	401	593	28,3	29,0
HMFx 8+8x4	651	713	531	593	34,6	35,4
HMFx 8+8x5	782	713	662	593	40,9	41,9
HMFx 8+8x6	912	713	792	593	47,1	48,3

*For other sizes or frame combinations not presented here, contact sales department

*All dimensions are nominal values

→ Sealing Area



SIZE	SEALING AREA (w x h)
2	120x60
4	120x120
6	120x180
8	120x240

→ Installation references

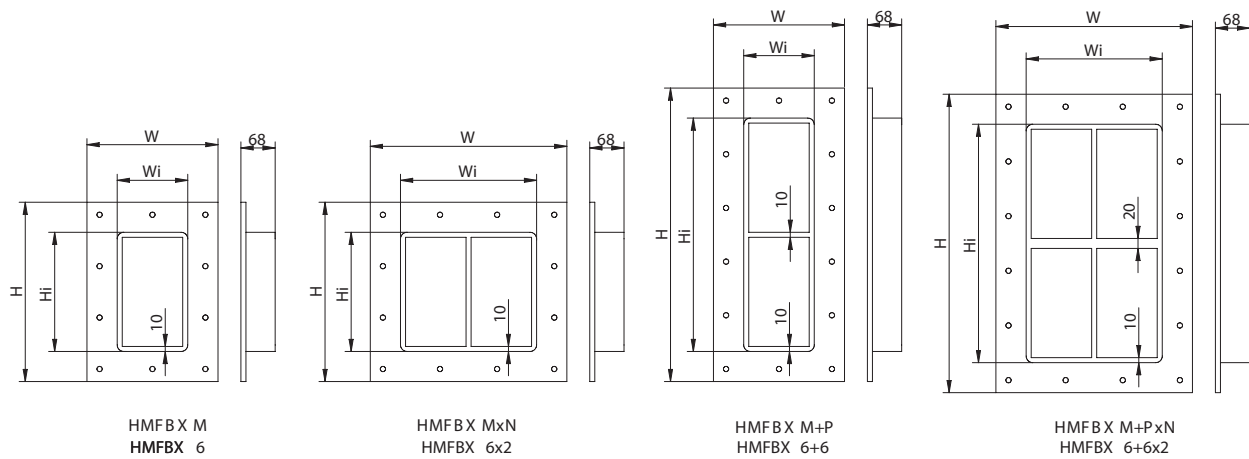
	page
See assembly parts	66
See accessories	76
See installation guide	116
See welding instructions	154
See inspection check	158

HMFBX Frame

Rectangular frame with drilled flange for marine applications. Made from 10mm thickness steel with a 60mm flange.

CHARACTERISTICS

- ◆ Available in four standard sizes with 120mm width (internal), 2,4,6,8. Multiple frames are available as combination of two or more apertures arranged horizontally, vertically or both combined.
- ◆ Designed to be bolted to a bulkhead or deck.
- ◆ Materials: Mild Steel, Stainless Steel. Other materials under request.
- ◆ To be sealed with standard or EMC HF blocks, compression systems and accessories.



*Frame designation: M = size row 1; P = size row 2; N = number of columns.

DESCRIPTION	EXTERNAL DIMENSIONS (mm)				HOLE DISTANCE (mm)		WEIGHT (Kg)	
	W	H	Wi	Hi	X	Y	Mild Steel	Stainless Steel
HMFBX 2	260	241	140	121	105	96	5,9	6,0
HMFBX 2x2	391	241	271	121	113	96	8,7	8,9
HMFBX 2x3	521	241	401	121	94	96	11,6	11,9
HMFBX 2x4	651	241	531	121	100	96	14,5	14,9
HMFBX 2x5	782	241	662	121	91	96	17,5	17,9
HMFBX 2x6	912	241	792	121	96	96	20,4	20,9
HMFBX 4	260	299,5	140	179,5	105	83	6,9	7,1
HMFBX 4x2	391	299,5	271	179,5	113	83	10,1	10,3
HMFBX 4x3	521	299,5	401	179,5	94	83	13,3	13,6
HMFBX 4x4	651	299,5	531	179,5	100	83	16,5	16,9
HMFBX 4x5	782	299,5	662	179,5	91	83	19,7	20,2
HMFBX 4x6	912	299,5	792	179,5	96	83	22,9	23,4

*All dimensions are nominal values

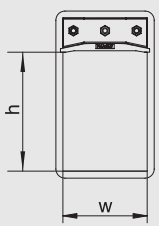
HMFBX Frame

DESCRIPTION	EXTERNAL DIMENSIONS (mm)				HOLE DISTANCE (mm)		WEIGHT (Kg)	
	W	H	Wi	Hi	X	Y	Mild Steel	Stainless Steel
HMFBX 4+4	260	469	140	349	105	105	10,6	10,9
HMFBX 4+4x2	391	479	271	359	113	107	16,6	17,0
HMFBX 4+4x3	521	479	401	359	118	107	21,7	22,3
HMFBX 4+4x4	651	479	531	359	100	107	26,9	27,6
HMFBX 4+4x5	782	479	662	359	104	107	32,1	32,8
HMFBX 4+4x6	912	479	792	359	108	107	37,2	38,1
HMFBX 6	260	358	140	238	105	103	8,0	8,2
HMFBX 6x2	391	358	271	238	113	103	11,5	11,7
HMFBX 6x3	521	358	401	238	94	103	14,9	15,3
HMFBX 6x4	651	358	531	238	100	103	18,4	18,9
HMFBX 6x5	782	358	662	238	91	103	21,9	22,4
HMFBX 6x6	912	358	792	238	96	103	25,3	26,0
HMFBX 6+6	260	586	140	466	105	107	12,8	13,2
HMFBX 6+6x2	391	596	271	476	113	109	19,3	19,8
HMFBX 6+6x3	521	596	401	476	118	109	25,0	25,6
HMFBX 6+6x4	651	596	531	476	100	109	30,7	31,5
HMFBX 6+6x5	782	596	662	476	104	109	36,5	37,4
HMFBX 6+6x6	912	596	792	476	108	109	42,2	43,2
HMFBX 8	260	416,5	140	296,5	105	92	9,1	9,3
HMFBX 8x2	391	416,5	271	296,5	113	92	12,8	13,1
HMFBX 8x3	521	416,5	401	296,5	94	92	16,6	17,0
HMFBX 8x4	651	416,5	531	296,5	100	92	20,3	20,8
HMFBX 8x5	782	416,5	662	296,5	91	92	24,1	24,7
HMFBX 8x6	912	416,5	792	296,5	96	92	27,8	28,5
HMFBX 8+8	260	703	140	583	105	109	15,0	15,4
HMFBX 8+8x2	391	713	271	593	113	111	22,1	22,6
HMFBX 8+8x3	521	713	401	593	118	111	28,3	29,0
HMFBX 8+8x4	651	713	531	593	100	111	34,6	35,4
HMFBX 8+8x5	782	713	662	593	104	111	40,9	41,9
HMFBX 8+8x6	912	713	792	593	108	111	47,1	48,3

*For other sizes or frame combinations not presented here, contact sales department

*All dimensions are nominal values

→ Sealing Area



SIZE	SEALING AREA (w x h)
2	120x60
4	120x120
6	120x180
8	120x240

→ Installation references

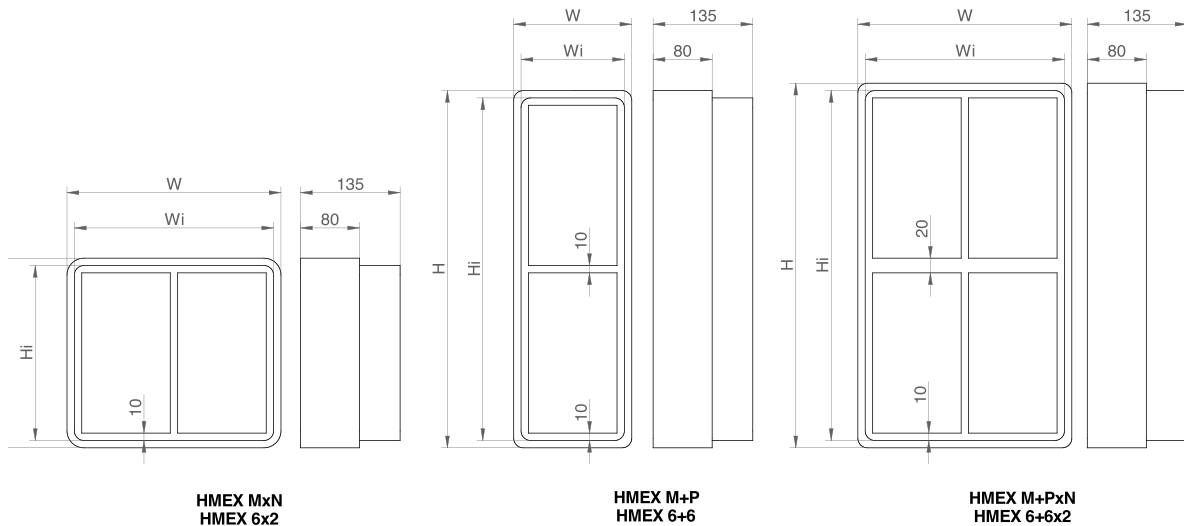
	page
See assembly parts	66
See accessories	76
See installation guide	116
See inspection check	158

HMAX Frame

Standard HMX frame extended using a 10mm thick welded collar. For use in corrugated bulkhead or to fit the frame above deck level.

CHARACTERISTICS

- ◆ Available in four standard sizes with 120mm width (internal), 2,4,6,8. Multiple frames are available as combination of two or more apertures arranged horizontally, vertically or both combined.
- ◆ Designed to be welded onto a bulkhead or deck.
- ◆ Materials: Mild Steel, Stainless Steel.
Other materials under request.
- ◆ To be sealed with standard or EMC HF blocks, compression systems and accessories.



*Frame designation: M = size row 1; P = size row 2; N = number of columns.

DESCRIPTION	EXTERNAL DIMENSIONS (mm)				WEIGHT (Kg)	
	W	H	Wi	Hi	Mild Steel	Stainless Steel
HMAX 2	160	141	140	121	5,5	5,7
HMAX 2x2	291	141	271	121	8,9	9,1
HMAX 2x3	421	141	401	121	12,2	12,5
HMAX 2x4	551	141	531	121	15,5	15,9
HMAX 2x5	682	141	662	121	18,8	19,3
HMAX 2x6	812	141	792	121	22,2	22,7
HMAX 4	160	199,5	140	179,5	6,8	7,0
HMAX 4x2	291	199,5	271	179,5	10,4	10,7
HMAX 4x3	421	199,5	401	179,5	14,0	14,4
HMAX 4x4	551	199,5	531	179,5	17,6	18,0
HMAX 4x5	682	199,5	662	179,5	21,2	21,7
HMAX 4x6	812	199,5	792	179,5	24,8	25,4

*All dimensions are nominal values

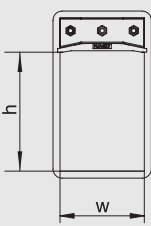
HMEX Frame

DESCRIPTION	EXTERNAL DIMENSIONS (mm)				WEIGHT (Kg)	
	W	H	Wi	Hi	Mild Steel	Stainless Steel
HMEX 4+4	160	369	140	349	11,3	11,6
HMEX 4+4x2	291	379	271	359	17,6	18,1
HMEX 4+4x3	421	379	401	359	23,2	23,8
HMEX 4+4x4	551	379	531	359	28,8	29,5
HMEX 4+4x5	682	379	662	359	34,4	35,2
HMEX 4+4x6	812	379	792	359	39,9	40,9
HMEX 6	160	258	140	238	8,1	8,3
HMEX 6x2	291	258	271	238	12,0	12,3
HMEX 6x3	421	258	401	238	15,8	16,2
HMEX 6x4	551	258	531	238	19,7	20,2
HMEX 6x5	682	258	662	238	23,6	24,2
HMEX 6x6	812	258	792	238	27,5	28,2
HMEX 6+6	160	486	140	466	13,8	14,2
HMEX 6+6x2	291	496	271	476	20,8	21,3
HMEX 6+6x3	421	496	401	476	26,9	27,5
HMEX 6+6x4	551	496	531	476	33,0	33,8
HMEX 6+6x5	682	496	662	476	39,1	40,1
HMEX 6+6x6	812	496	792	476	45,2	46,4
HMEX 8	160	316,5	140	296,5	9,4	9,6
HMEX 8x2	291	316,5	271	296,5	13,5	13,9
HMEX 8x3	421	316,5	401	296,5	17,7	18,1
HMEX 8x4	551	316,5	531	296,5	21,8	22,4
HMEX 8x5	682	316,5	662	296,5	26,0	26,6
HMEX 8x6	812	316,5	792	296,5	30,1	30,9
HMEX 8+8	160	603	140	583	16,4	16,8
HMEX 8+8x2	291	613	271	593	23,9	24,5
HMEX 8+8x3	421	613	401	593	30,5	31,3
HMEX 8+8x4	551	613	531	593	37,2	38,1
HMEX 8+8x5	682	613	662	593	43,9	45,0
HMEX 8+8x6	812	613	792	593	50,6	51,8

*For other sizes or frame combinations not presented here, contact sales department

*All dimensions are nominal values

→ Sealing Area



SIZE	SEALING AREA (w x h)
2	120x60
4	120x120
6	120x180
8	120x240

→ Installation references

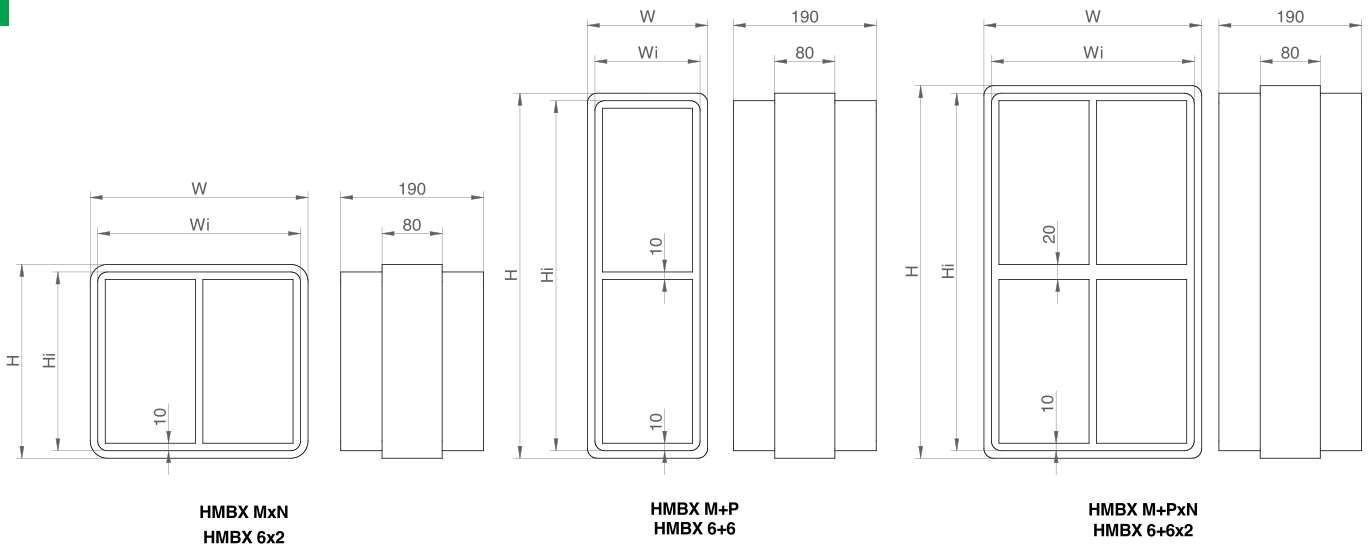
	page
See assembly parts	66
See accessories	76
See installation guide	116
See welding instructions	150
See inspection check	158

HMBX Frame

Double frame for applications with increased pressure ratings and fire-proofing.

CHARACTERISTICS

- ◆ Available in four standard sizes with 120mm width (internal), 2,4,6,8. Multiple frames are available as combination of two or more apertures arranged horizontally, vertically or both combined.
- ◆ Designed to be welded onto a bulkhead or deck.
- ◆ Materials: Mild Steel, Stainless Steel.
Other materials under request.
- ◆ To be sealed with standard or EMC HF blocks, compression systems and accessories.



*Frame designation: M = size row 1; P = size row 2; N = number of columns.

DESCRIPTION	EXTERNAL DIMENSIONS (mm)				WEIGHT (Kg)	
	W	H	Wi	Hi	Mild Steel	Stainless Steel
HMBX 2	160	141	140	121	7,7	7,9
HMBX 2x2	291	141	271	121	12,7	13,1
HMBX 2x3	421	141	401	121	17,8	18,2
HMBX 2x4	551	141	531	121	22,8	23,4
HMBX 2x5	682	141	662	121	27,8	28,5
HMBX 2x6	812	141	792	121	32,8	33,6
HMBX 4	160	199,5	140	179,5	9,6	9,8
HMBX 4x2	291	199,5	271	179,5	15,1	15,5
HMBX 4x3	421	199,5	401	179,5	20,7	21,2
HMBX 4x4	551	199,5	531	179,5	26,3	26,9
HMBX 4x5	682	199,5	662	179,5	31,8	32,6
HMBX 4x6	812	199,5	792	179,5	37,4	38,3

*All dimensions are nominal values

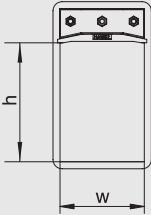
HMBX Frame

DESCRIPTION	EXTERNAL DIMENSIONS (mm)				WEIGHT (Kg)	
	W	H	Wi	Hi	Mild Steel	Stainless Steel
HMBX 4+4	160	369	140	349	16,2	16,6
HMBX 4+4x2	291	379	271	359	27,1	27,8
HMBX 4+4x3	421	379	401	359	36,7	37,6
HMBX 4+4x4	551	379	531	359	46,2	47,3
HMBX 4+4x5	682	379	662	359	55,7	57,1
HMBX 4+4x6	812	379	792	359	65,2	66,8
HMBX 6	160	258	140	238	11,4	11,7
HMBX 6x2	291	258	271	238	17,5	17,9
HMBX 6x3	421	258	401	238	23,6	24,2
HMBX 6x4	551	258	531	238	29,8	30,5
HMBX 6x5	682	258	662	238	35,9	36,8
HMBX 6x6	812	258	792	238	42,0	43,0
HMBX 6+6	160	486	140	466	19,9	20,3
HMBX 6+6x2	291	496	271	476	31,9	32,7
HMBX 6+6x3	421	496	401	476	42,5	43,6
HMBX 6+6x4	551	496	531	476	53,1	54,5
HMBX 6+6x5	682	496	662	476	63,8	65,3
HMBX 6+6x6	812	496	792	476	74,4	76,2
HMBX 8	160	316,5	140	296,5	13,2	13,5
HMBX 8x2	291	316,5	271	296,5	19,9	20,4
HMBX 8x3	421	316,5	401	296,5	26,6	27,2
HMBX 8x4	551	316,5	531	296,5	33,2	34,1
HMBX 8x5	682	316,5	662	296,5	39,9	40,9
HMBX 8x6	812	316,5	792	296,5	46,6	47,7
HMBX 8+8	160	603	140	583	23,5	24,1
HMBX 8+8x2	291	613	271	593	36,7	37,6
HMBX 8+8x3	421	613	401	593	48,4	49,6
HMBX 8+8x4	551	613	531	593	60,1	61,6
HMBX 8+8x5	682	613	662	593	71,8	73,6
HMBX 8+8x6	812	613	792	593	83,5	85,6

*For other sizes or frame combinations not presented here, contact sales department

*All dimensions are nominal values

→ Sealing Area



SIZE	SEALING AREA (w x h)
2	120x60
4	120x120
6	120x180
8	120x240

→ Installation references

	page
See assembly parts	66
See accessories	76
See installation guide	116
See welding instructions	150
See inspection check	158

HMCX Frame

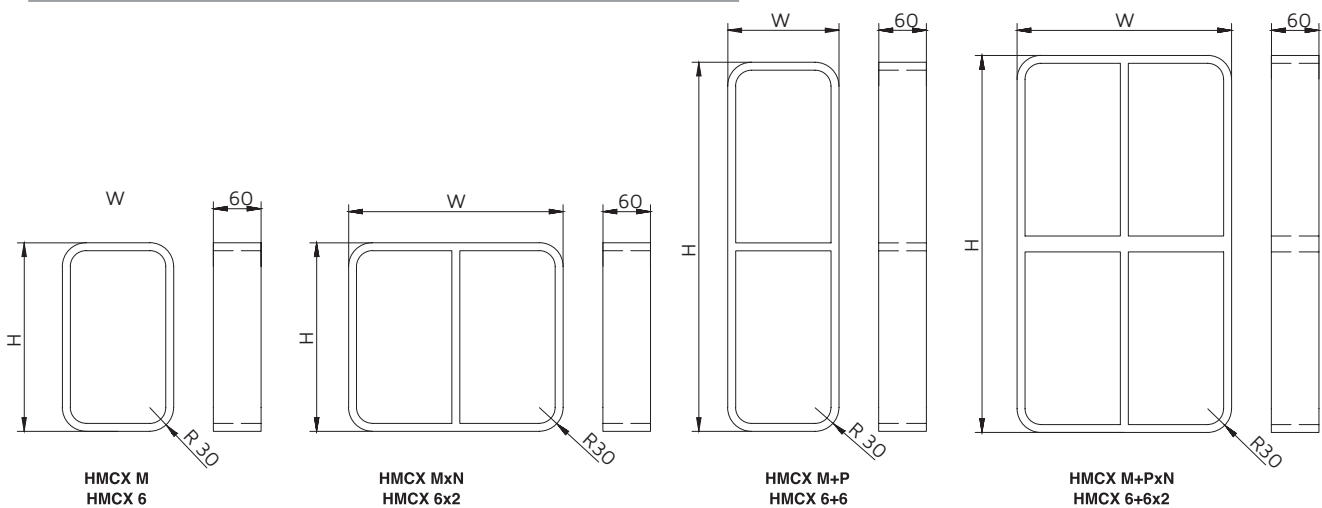
Rectangular frame with round corners to reduce the risk of stress fractures within stress applications.

Made from 10mm thickness steel.



CHARACTERISTICS

- ◆ Available in four standard sizes with 120mm width (internal), 2,4,6,8. Multiple frames are available as combination of two or more apertures arranged horizontally, vertically or both combined.
- ◆ Designed to be welded onto a bulkhead or deck.
- ◆ Materials: Mild Steel, Stainless Steel. Other materials under request.
- ◆ To be sealed with standard or EMC HF blocks, compression systems and accessories.



*Frame designation: M = size row 1; P = size row 2; N = number of columns.

DESCRIPTION	EXTERNAL DIMENSIONS (mm)		WEIGHT (Kg)	
	W	H	Mild Steel	Stainless Steel
HMCX R30 4	140	179,5	2,6	2,7
HMCX R30 4x2	271	179,5	4,6	4,7
HMCX R30 4x3	401	179,5	6,6	6,7
HMCX R30 4x4	531	179,5	8,5	8,7
HMCX R30 4x5	662	179,5	10,5	10,8
HMCX R30 4x6	792	179,5	12,5	12,8
HMCX R30 4+4	140	349	4,8	4,9
HMCX R30 4+4x2	271	359	9,4	9,6
HMCX R30 4+4x3	401	359	13,3	13,6
HMCX R30 4+4x4	531	359	17,3	17,7
HMCX R30 4+4x5	662	359	21,2	21,7
HMCX R30 4+4x6	792	359	25,1	25,8

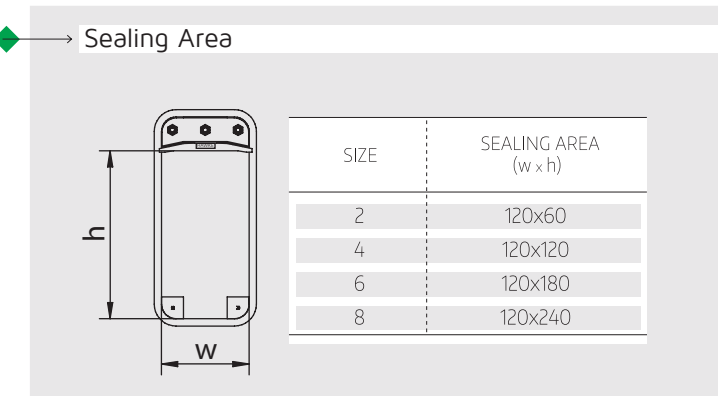
*All dimensions are nominal values

HMCX Frame

DESCRIPTION	EXTERNAL DIMENSIONS (mm)		WEIGHT (Kg)	
	W	H	Mild Steel	Stainless Steel
HMCX R30 6	140	238	3,2	3,2
HMCX R30 6x2	271	238	5,5	5,6
HMCX R30 6x3	401	238	7,9	8,1
HMCX R30 6x4	531	238	10,2	10,5
HMCX R30 6x5	662	238	12,6	12,9
HMCX R30 6x6	792	238	14,9	15,3
HMCX R30 6+6	140	466	5,9	6,0
HMCX R30 6+6x2	271	476	11,0	11,3
HMCX R30 6+6x3	401	476	15,5	15,9
HMCX R30 6+6x4	531	476	20,0	20,5
HMCX R30 6+6x5	662	476	24,5	25,1
HMCX R30 6+6x6	792	476	29,0	29,7
HMCX R30 8	140	296,5	3,7	3,8
HMCX R30 8x2	271	296,5	6,2	6,4
HMCX R30 8x3	401	296,5	8,8	9,0
HMCX R30 8x4	531	296,5	11,3	11,6
HMCX R30 8x5	662	296,5	13,8	14,1
HMCX R30 8x6	792	296,5	16,3	16,7
HMCX R30 8+8	140	583	7,0	7,1
HMCX R30 8+8x2	271	593	12,7	13,0
HMCX R30 8+8x3	401	593	17,7	18,2
HMCX R30 8+8x4	531	593	22,8	23,3
HMCX R30 8+8x5	662	593	27,8	28,5
HMCX R30 8+8x6	792	593	32,8	33,7

*For other sizes or frame combinations not presented here, contact sales department

*All dimensions are nominal values



Installation references

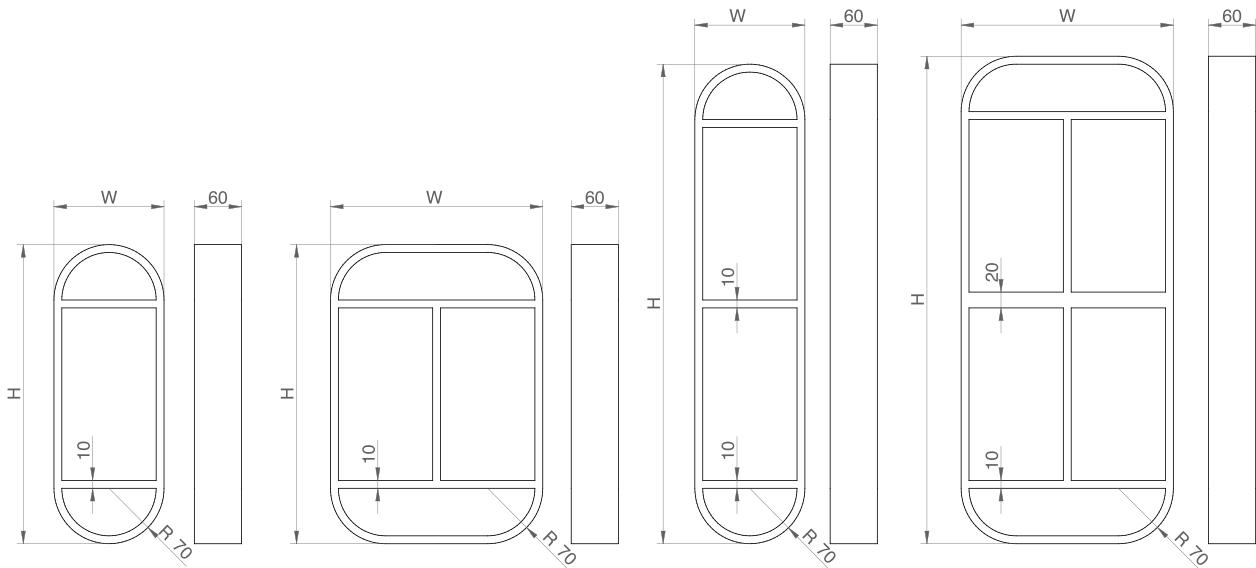
	page
See assembly parts	66
See accessories	76
See installation guide	118
See welding instructions	150
See inspection check	158

HMRX TB Frame

Standard HMX frame with end fillet pieces with radius corners added to the top and bottom sides of the frame for high stressed area applications.

CHARACTERISTICS

- ◆ Available in four standard sizes with 120mm width (internal), 2,4,6,8. Multiple frames are available as combination of two or more apertures arranged horizontally, vertically or both combined.
- ◆ Designed to be welded to a bulkhead or deck.
- ◆ Materials: Mild Steel, Stainless Steel.
Other materials under request.
- ◆ To be sealed with standard or EMC HF blocks, compression systems and accessories.



HMRX TB M
HMRX TB 6

HMRX TB MxN
HMRX TB 6x2

HMRX TB M+P
HMRX TB 6+6

HMRX TB M+PxN
HMRX TB 6+6x2

*Frame designation: M = size row 1; P = size row 2; N = number of columns.

TYPE	EXTERNAL DIMENSIONS (mm)		WEIGHT (Kg)	
	W	H	Mild Steel	Stainless Steel
HMRX R70 TB 2	140	261	5,1	5,2
HMRX R70 TB 4	140	319,5	5,6	5,8
HMRX R70 TB 6	140	378	6,2	6,3
HMRX R70 TB 6x2	271	378	10,9	11,1
HMRX R70 TB 6x3	401	378	15,6	15,9
HMRX R70 TB 6x4	531	378	20,2	20,7
HMRX R70 TB 6x5	662	378	24,9	25,5
HMRX R70 TB 6x6	792	378	29,6	30,4

*For other sizes or frame combinations not presented here, contact sales department

*All dimensions are nominal values

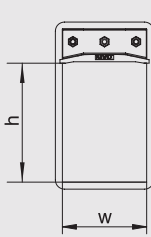
HMRX TB Frame

TYPE	EXTERNAL DIMENSIONS (mm)		WEIGHT (Kg)	
	W	H	Mild Steel	Stainless Steel
HMRX R70 TB 6+6	140	606	8,9	9,1
HMRX R70 TB 6+6x2	271	616	16,5	16,9
HMRX R70 TB 6+6x3	401	616	23,4	24,0
HMRX R70 TB 6+6x4	531	616	30,3	31,1
HMRX R70 TB 6+6x5	662	616	37,3	38,2
HMRX R70 TB 6+6x6	792	616	44,2	45,3
HMRX R70 TB 8	140	436,5	6,7	6,9
HMRX R70 TB 8x2	271	436,5	11,7	12,0
HMRX R70 TB 8x3	401	436,5	16,7	17,1
HMRX R70 TB 8x4	531	436,5	21,6	22,2
HMRX R70 TB 8x5	662	436,5	26,6	27,2
HMRX R70 TB 8x6	792	436,5	31,5	32,3
HMRX R70 TB 8+8	140	723	10,0	10,2
HMRX R70 TB 8+8x2	271	733	18,1	18,6
HMRX R70 TB 8+8x3	401	733	25,6	26,2
HMRX R70 TB 8+8x4	531	733	33,1	33,9
HMRX R70 TB 8+8x5	662	733	40,6	41,6
HMRX R70 TB 8+8x6	792	733	48,1	49,3

*For other sizes or frame combinations not presented here, contact sales department

*All dimensions are nominal values

→ Sealing Area



SIZE	SEALING AREA (w x h)
2	120x60
4	120x120
6	120x180
8	120x240

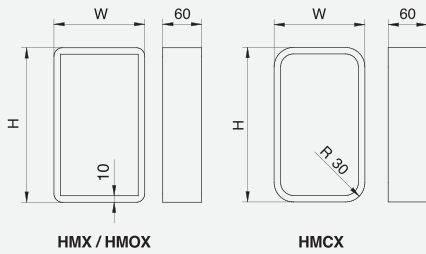
→ Installation references

	page
See assembly parts	66
See accessories	76
See installation guide	116
See welding instructions	150
See inspection check	158

DIMENSIONS

Guidelines $\blacklozenge \rightarrow$ for marine frames.

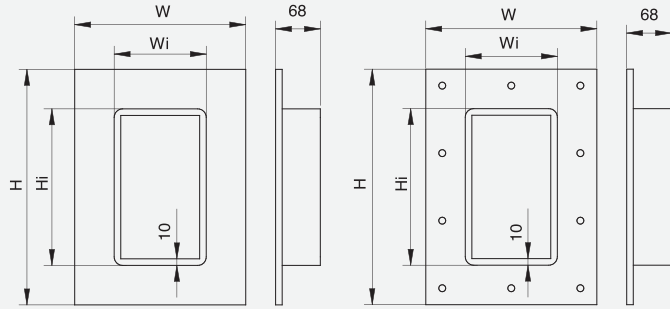
$\blacklozenge \rightarrow$ HMX/HMOX/HMCX



$$W = W_i$$

$$H = H_i$$

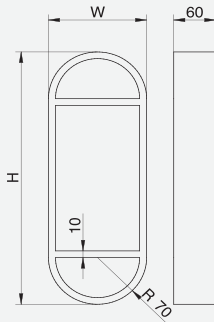
$\blacklozenge \rightarrow$ HMFx/HMFBx



$$W = W_i + 120$$

$$H = H_i + 120$$

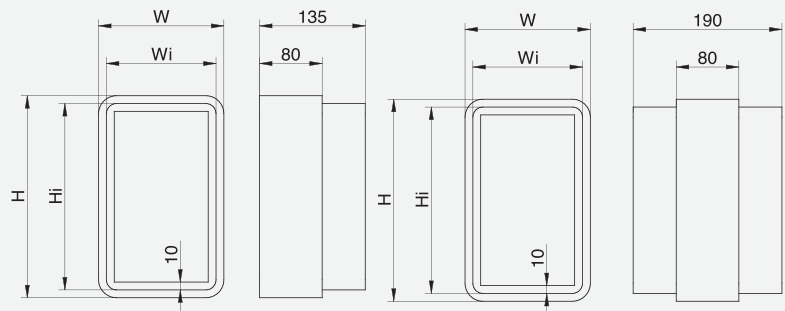
$\blacklozenge \rightarrow$ HMRx TB



$$W = W_i$$

$$H = H_i + 140$$

$\blacklozenge \rightarrow$ HMEx/HMBx





$$W = W_i + 20$$

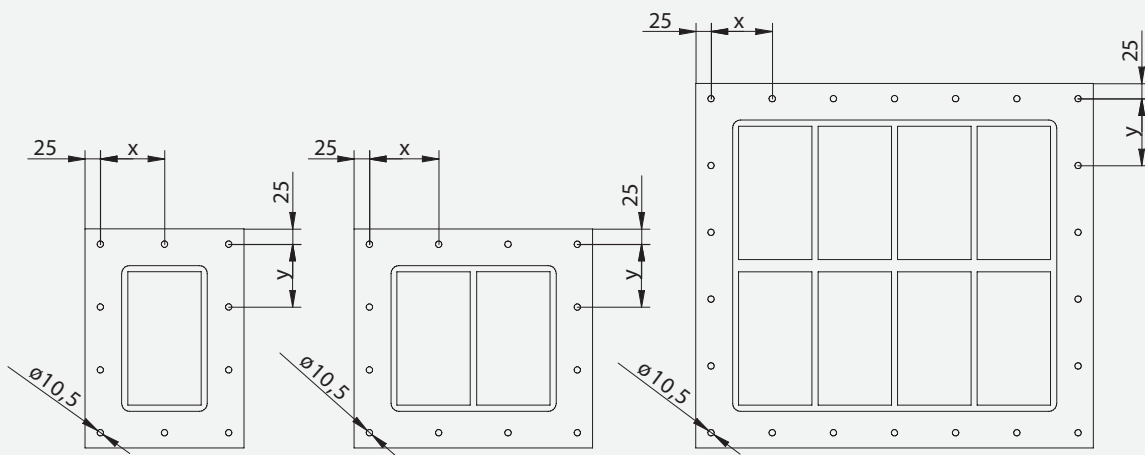
$$H = H_i + 20$$

Size	x 1		Hi (mm)	x N										
	Hi (mm)	Wi (mm)		Wi (mm)										
				x 2	x 3	x 4	x 5	x 6	x 7	x 8	x 9	x 10		
2	121	140	121											
2+2	232	140	242											
4	179,5	140	179,5											
4+2	290,5	140	300,5											
4+4	349	140	359											
6	238	140	238											
6+2	349	140	359	271	401	531	662	792	922	1052	1183	1313		
6+4	407,5	140	417,5											
6+6	466	140	476											
8	296,5	140	296,5											
8+2	407,5	140	417,5											
8+4	466	140	476											
8+6	524,5	140	534,5											
8+8	583	140	593											

DRILLING

Guidelines  for marine frames.

 HMFBX



SIZE	x1		y (mm) & Ny	x N										Ø (mm)	
	y (mm) & Ny	x (mm) & Nx		x (mm) & Nx											
				x2	x3	x4	x5	x6	x7	x8	x9	x10			
2	96 (2)		96 (2)												10,5
2+2	101 (3)		104 (3)												10,5
4	83 (2)		83 (2)												10,5
4+2	90 (3)		93 (3)												10,5
4+4	105 (3)		107 (3)												10,5
6	103 (3)		103 (3)												10,5
6+2	105 (4)	105 (3)	107 (4)	113 (4)	94 (6)	100 (7)	91 (9)	96 (10)	99 (11)	102 (12)	104 (13)	106 (14)		10,5	
6+4	96 (4)		98 (4)											10,5	
6+6	107 (4)		109 (4)												10,5
8	92 (3)		92 (3)												10,5
8+2	96 (4)		98 (4)											10,5	
8+4	107 (4)		109 (4)											10,5	
8+6	99 (5)		101 (5)											10,5	
8+8	109 (5)		111 (5)											10,5	

Nx: Number of horizontal holes; Ny: Number of vertical holes; Ø: Diameter of holes (mm); N: number of columns